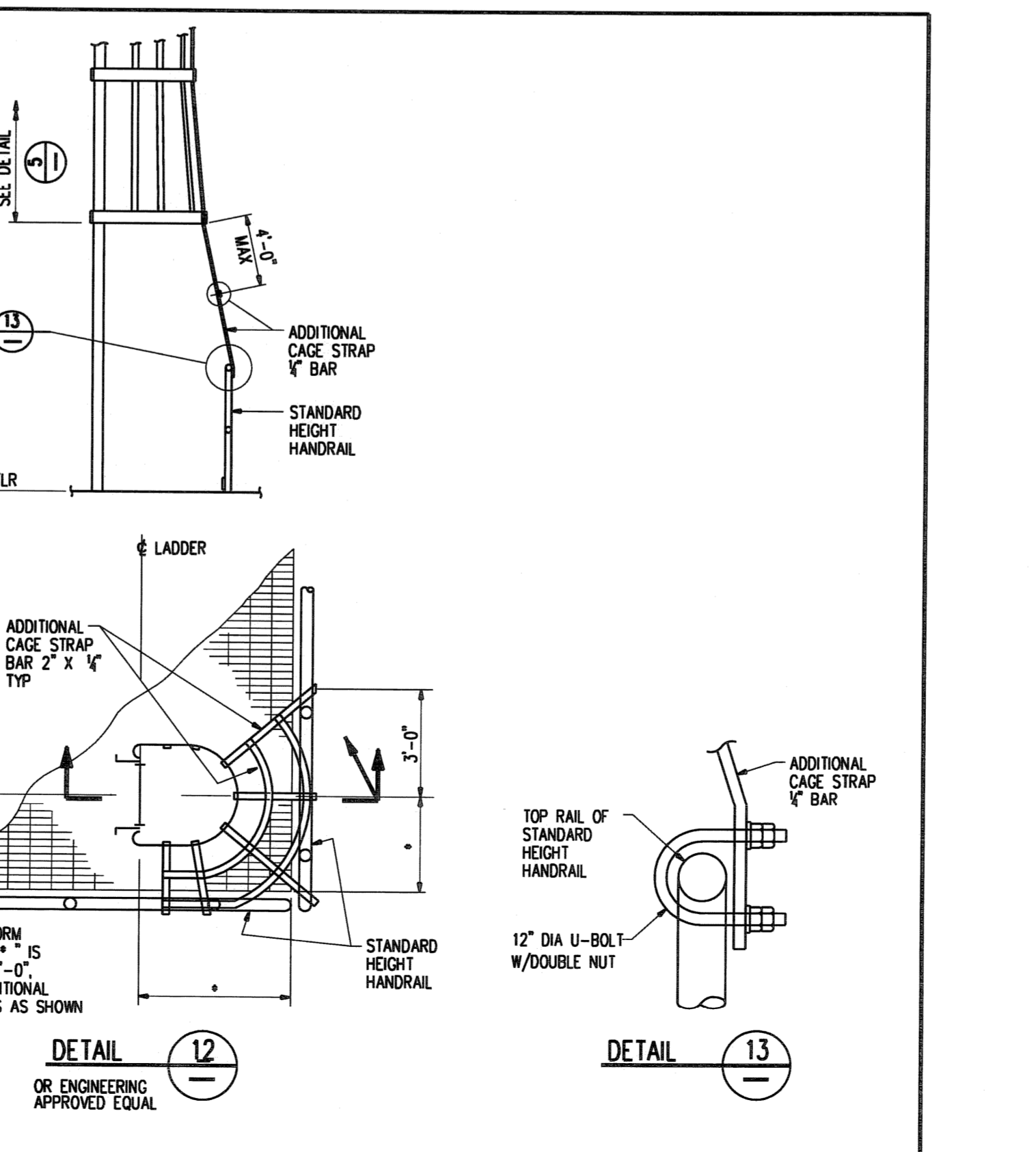
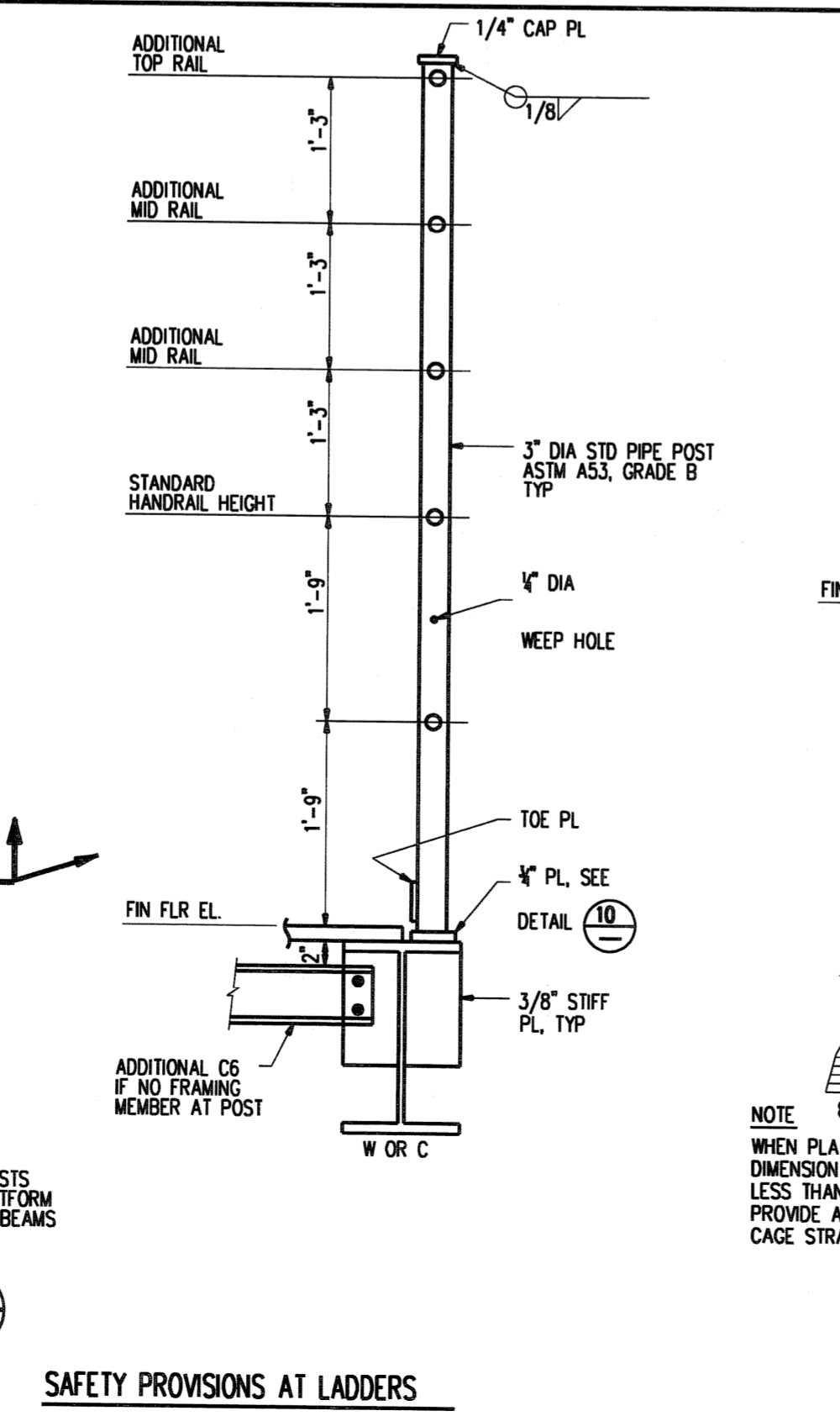
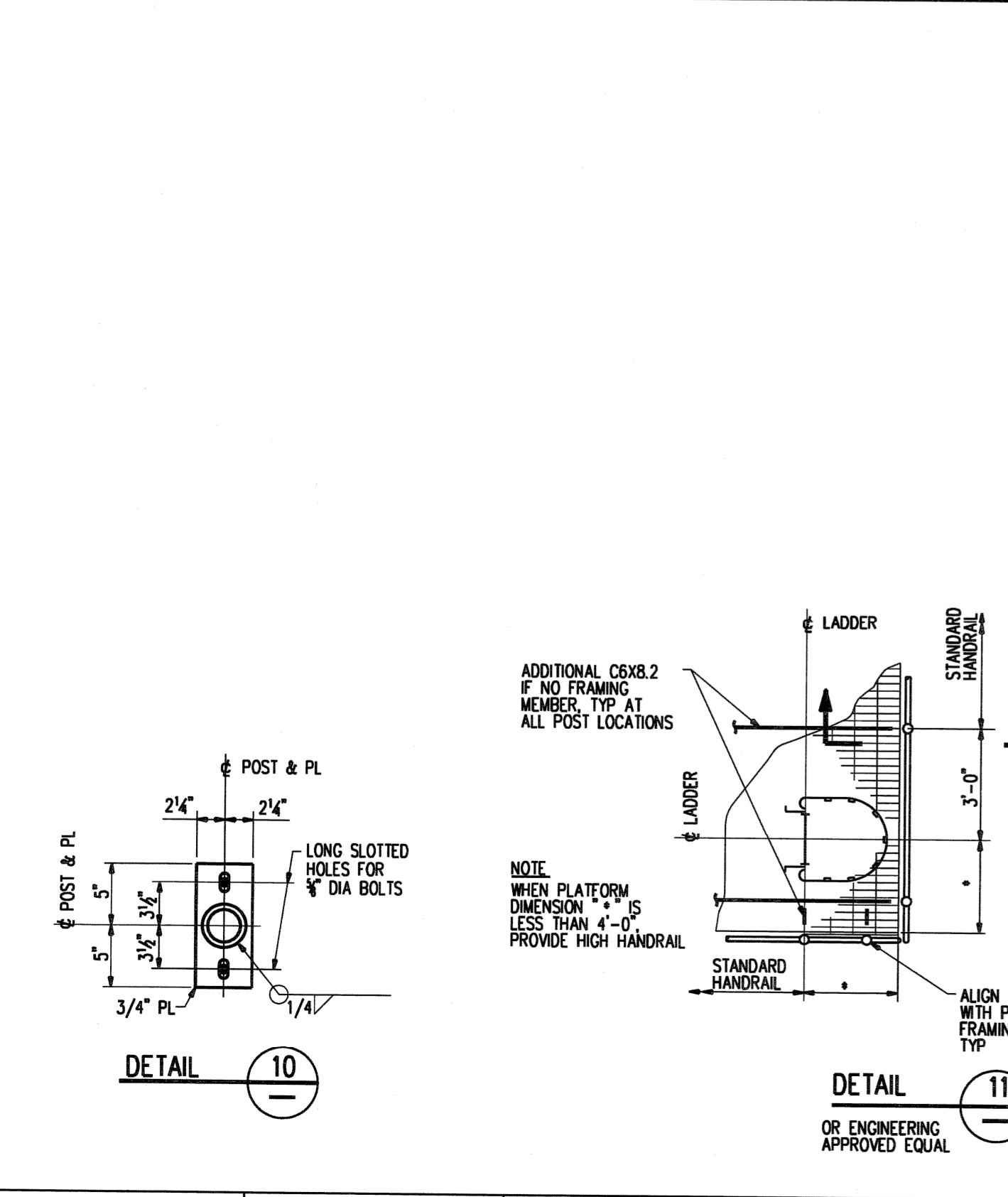
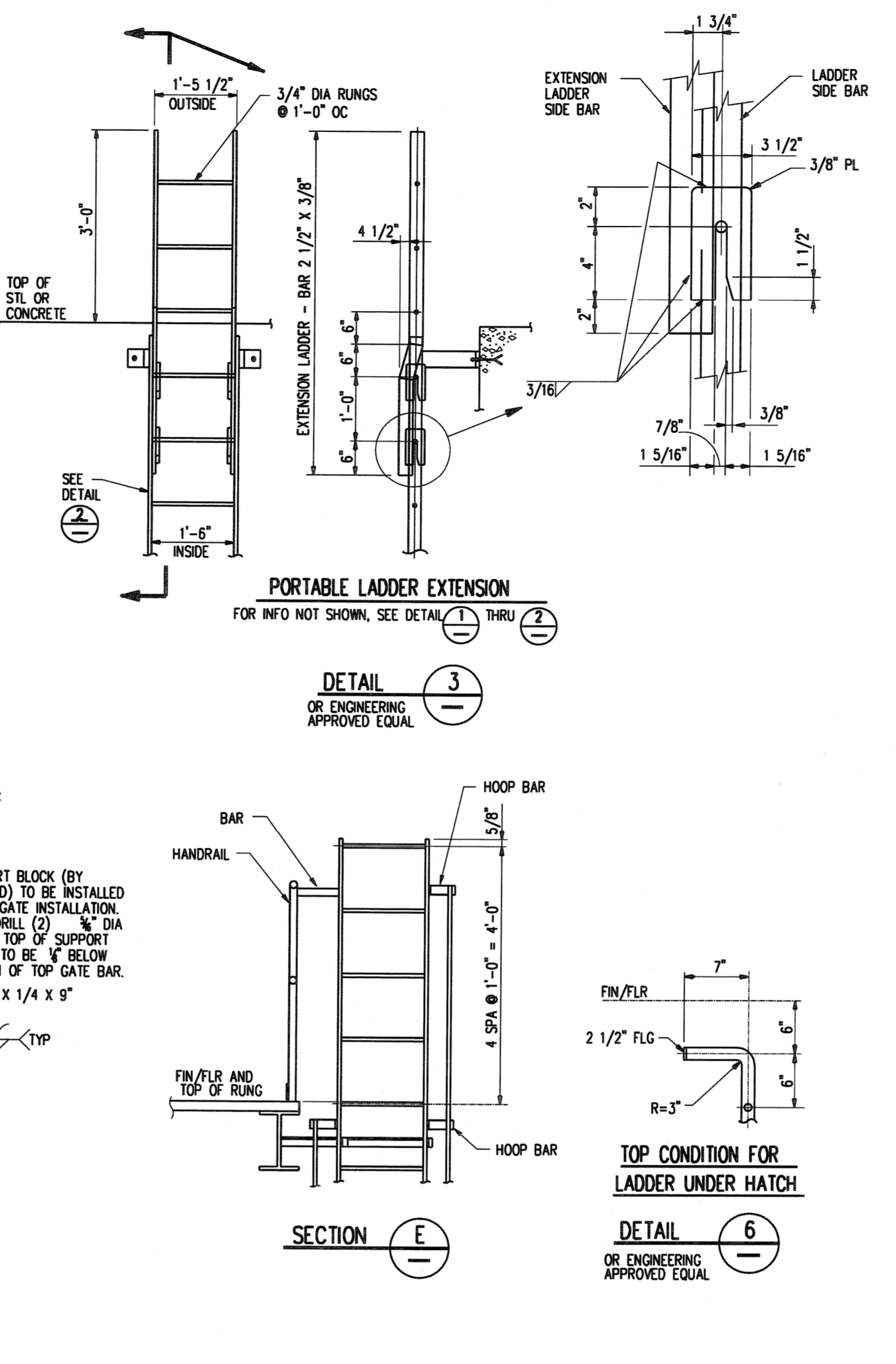
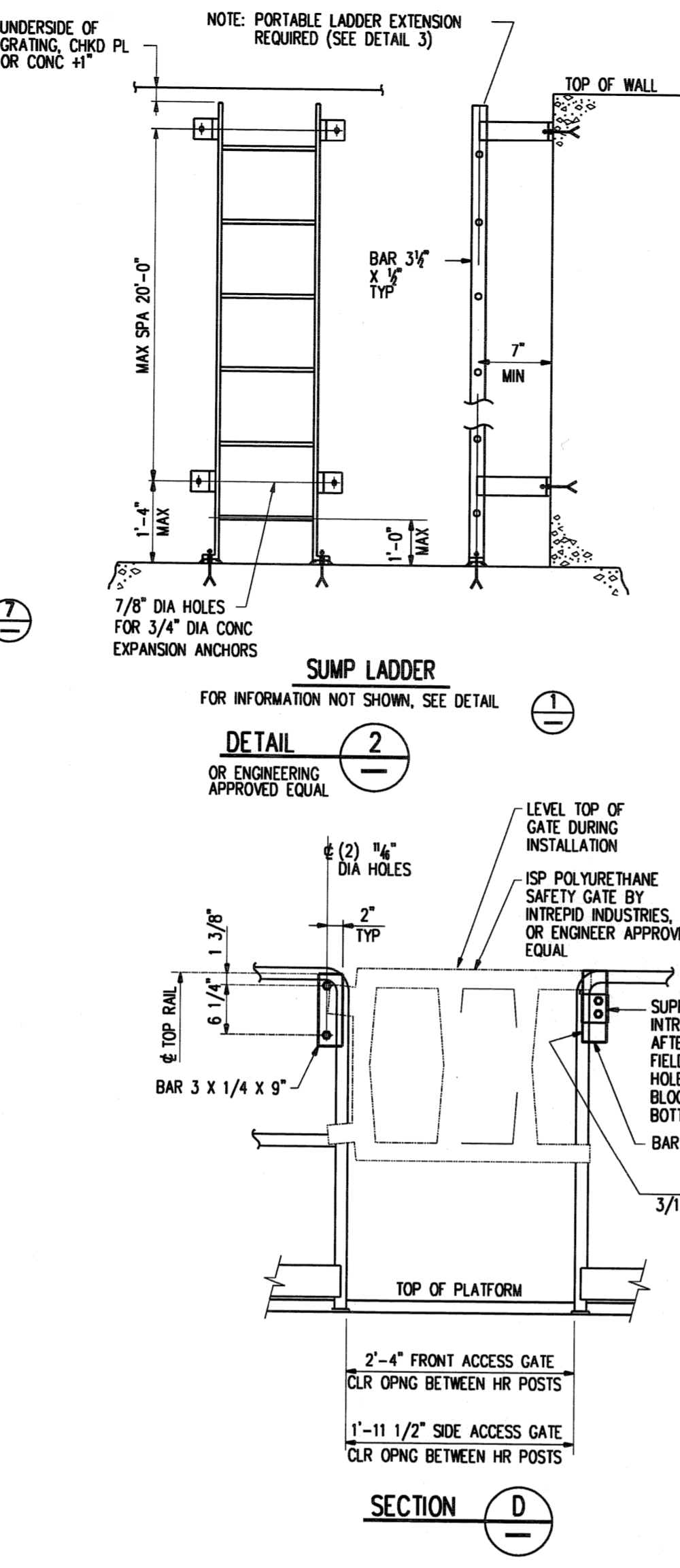
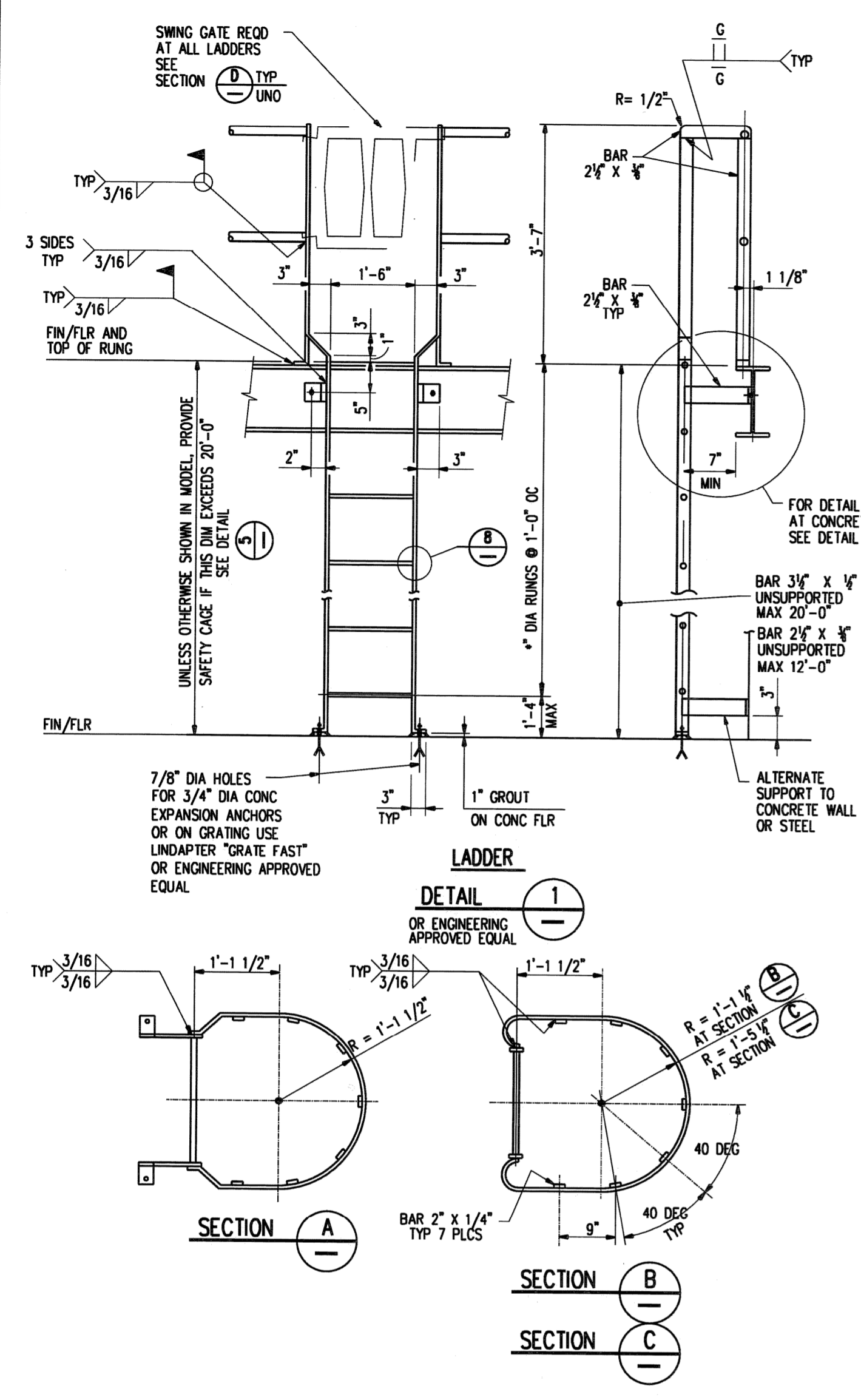


©Bechtel Corporation 2008. All rights reserved. Bechtel Confidential. Contains information that is confidential and proprietary to Bechtel and may not be used, reproduced, or disclosed in any form without Bechtel's prior written permission. Bechtel's name and logo are trademarks of Bechtel Corporation. This drawing is prepared for the FEED study for the CO2 Capture Facility at Karsto, Norway, and is not to be relied upon by others or used in connection with any other project.



GENERAL NOTES:
 SEE DRAWING 25474-000-S0-0000-GE001

NO.	DATE	REVISIONS	BY	CHK	DRW	PRJ	APPV

ISSUED FOR COMMENT

GASSNOVA 10112936-P8-N-DRW-0004 BECHTEL POWER CORPORATION FREDERICK, MARYLAND	CO2 KARSTO PROJECT STRUCTURAL STEEL SHEET TYPICAL SECTIONS AND DETAILS JOB NO. 25474-000 DRAWING NO. S0-0010-00004 REV. 0
---	---