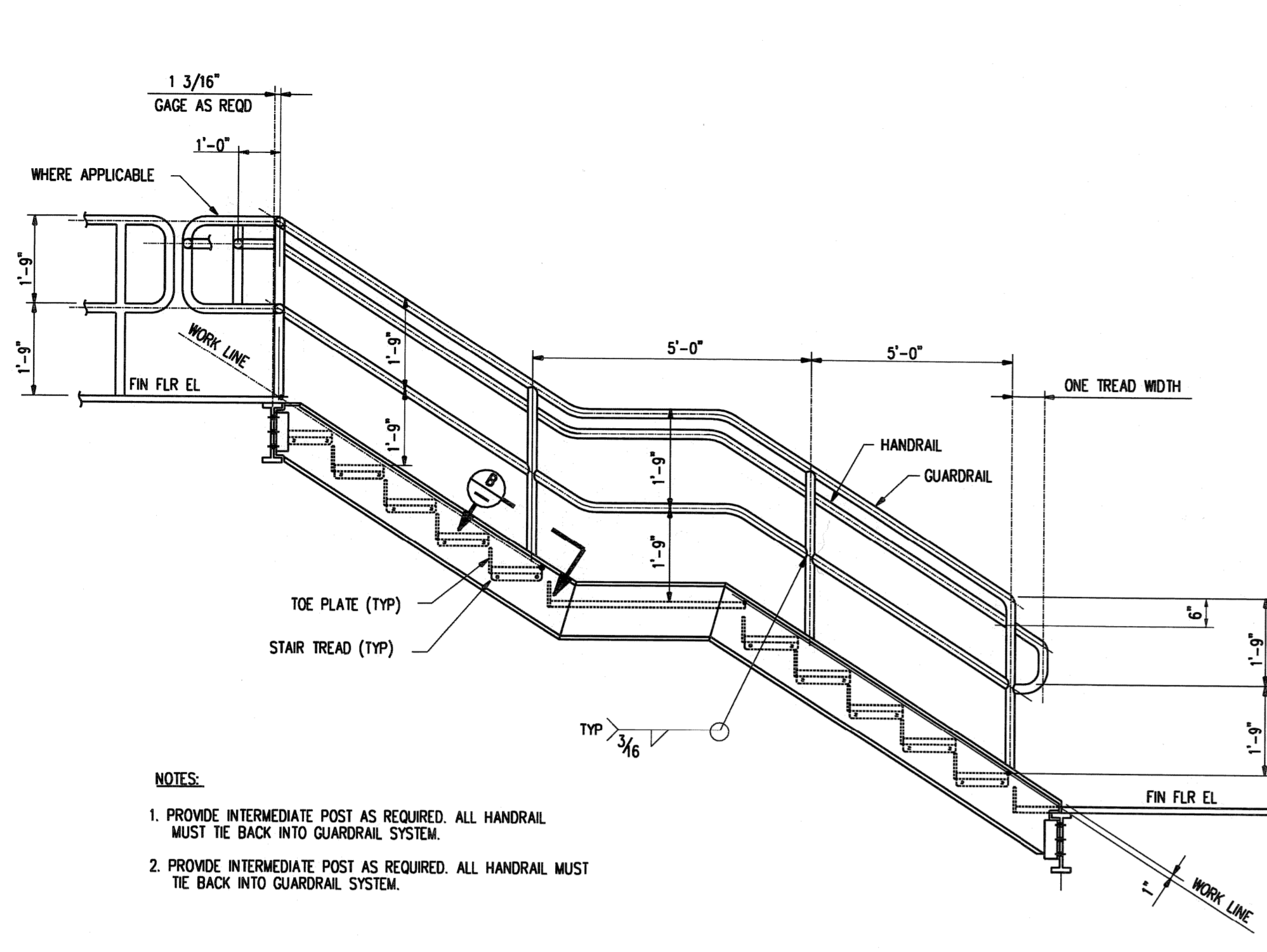
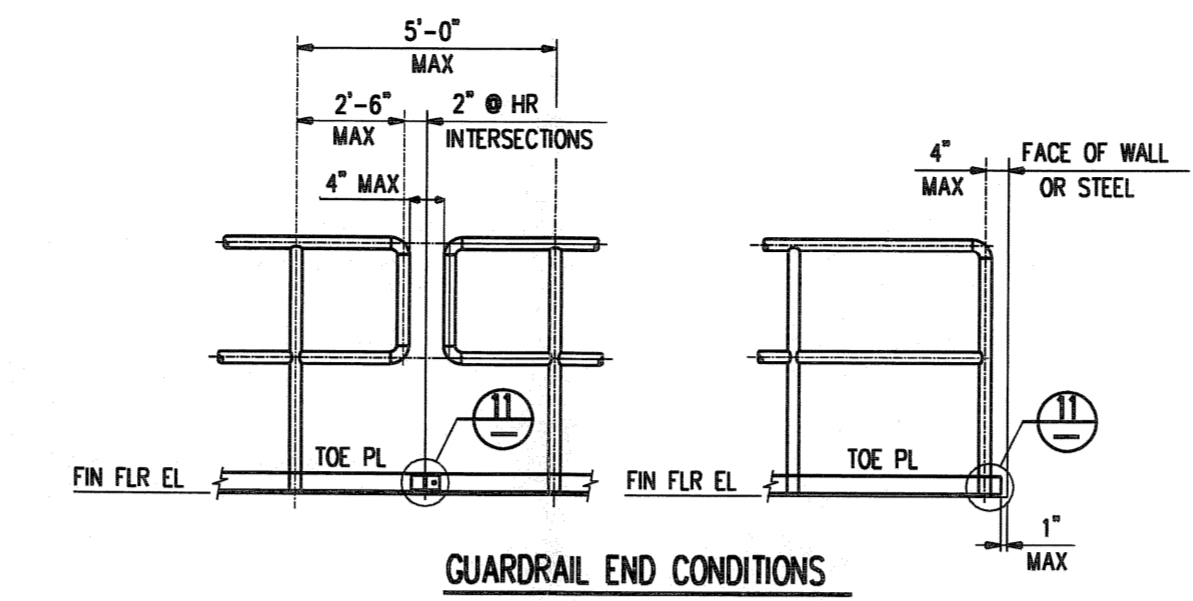


©Bechtel Corporation 2008. All rights reserved. Bechtel Confidential. Contains information that is confidential and proprietary to Bechtel and may not be used, reproduced, or disclosed in any form without Bechtel's prior written permission. The project name is CO2 Capture Facility at Karsto, Norway, and is not to be relied upon by others or used in connection with any other project.

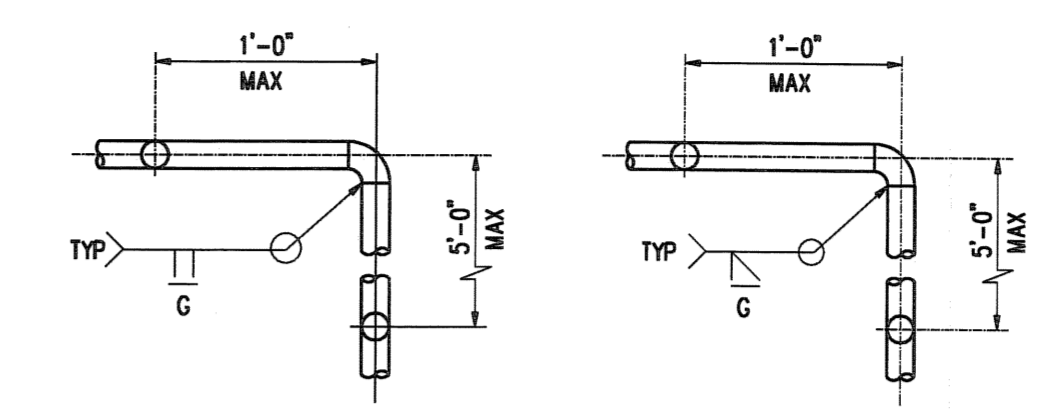


- NOTES:
- 1. PROVIDE INTERMEDIATE POST AS REQUIRED. ALL HANDRAIL MUST BE BACK INTO GUARDRAIL SYSTEM.
 - 2. PROVIDE INTERMEDIATE POST AS REQUIRED. ALL HANDRAIL MUST BE BACK INTO GUARDRAIL SYSTEM.

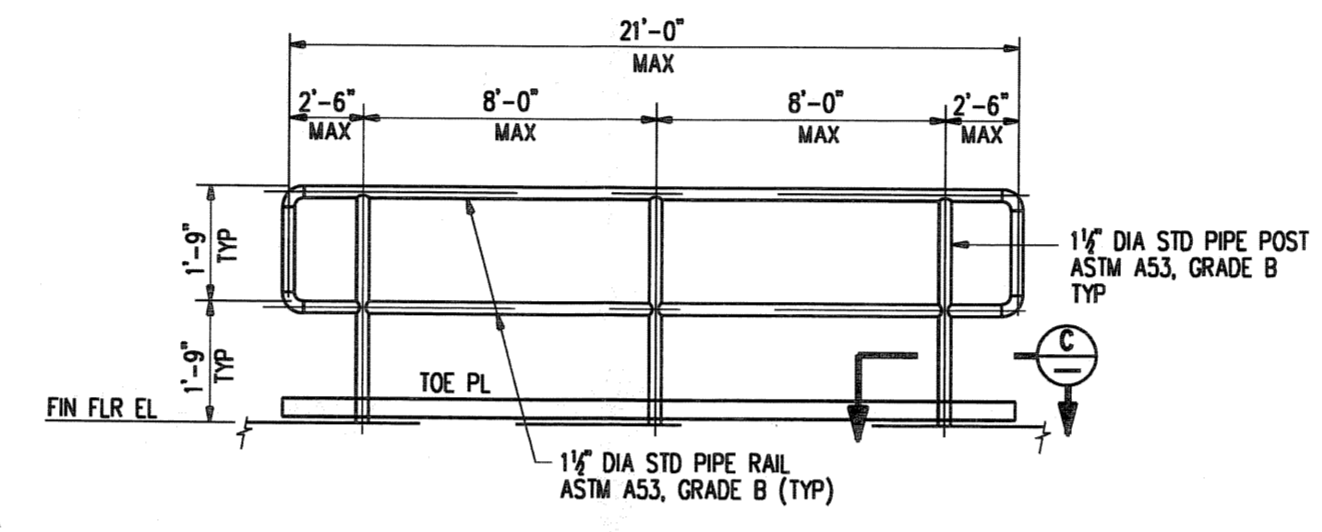
SECTION A WHERE IBC IS APPLICABLE



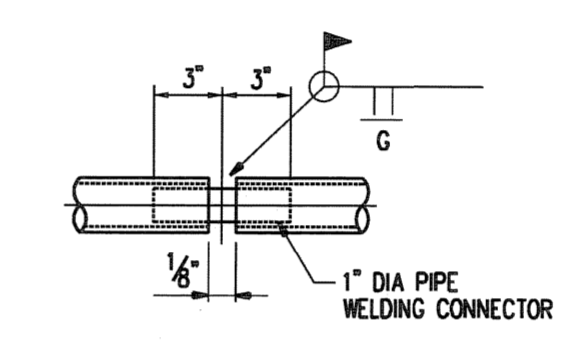
GUARDRAIL END CONDITIONS
DETAIL 1



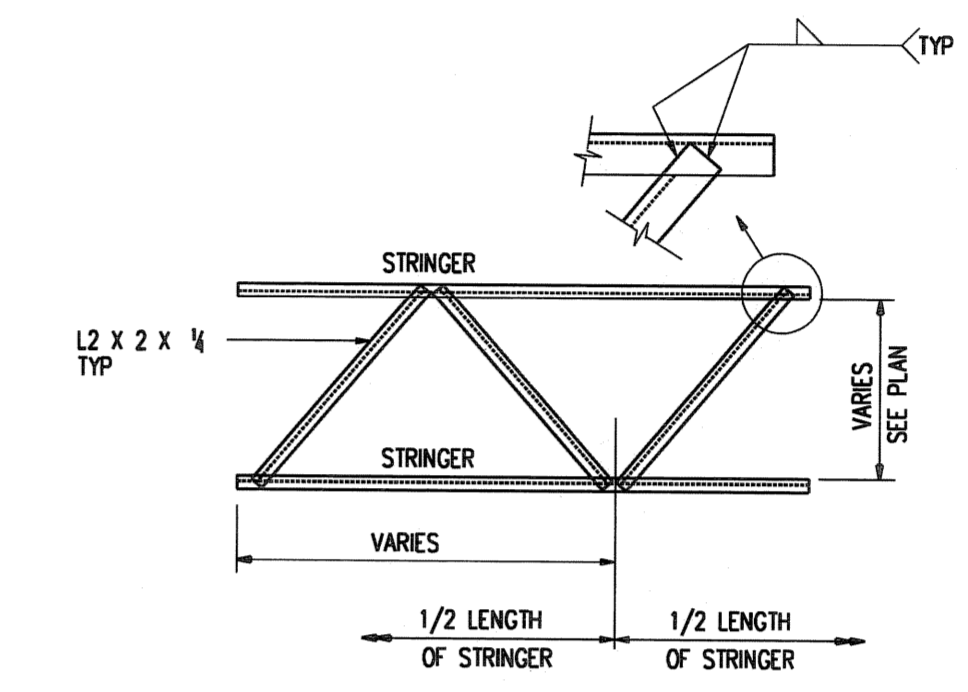
GUARDRAIL/HANDRAIL CORNER DETAIL
DETAIL 2



GUARDRAIL SECTION
DETAIL 3

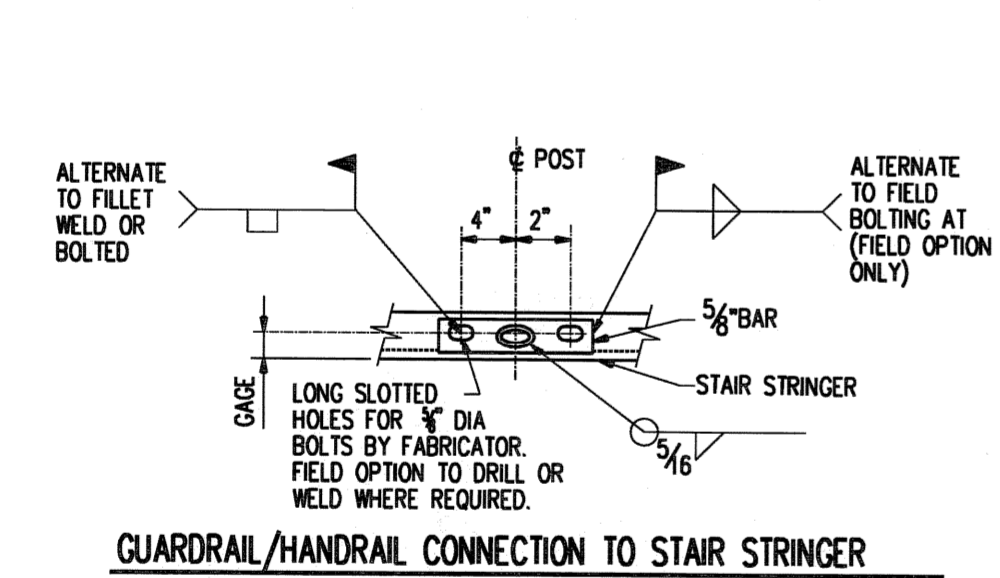


GUARDRAIL/HANDRAIL SPLICE
DETAIL 4

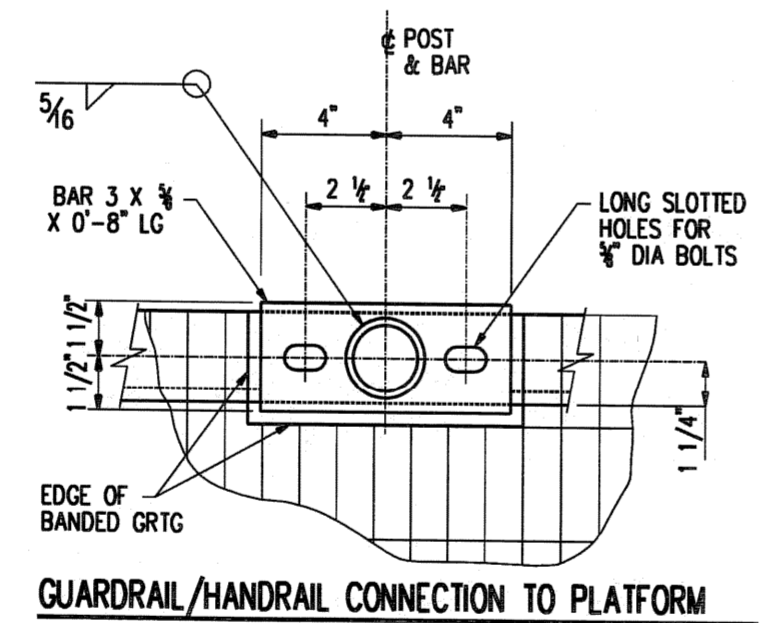


DIAGONAL BRACING ACROSS BOTTOM OF STAIR STRINGERS
DETAIL 5

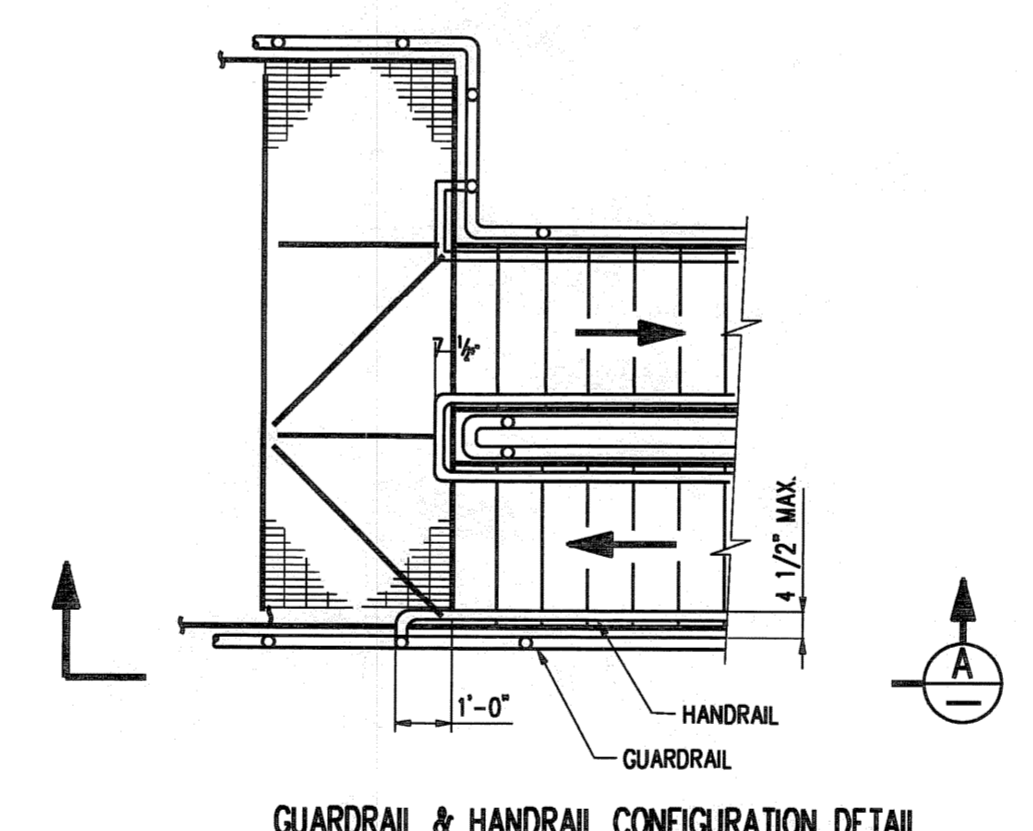
BRACING SCHEDULE	
NUMBER OF TREADS	NUMBER OF BRACES
5 TO 8	0
9 TO 12	2
13 TO 16	3
17 TO 20	4



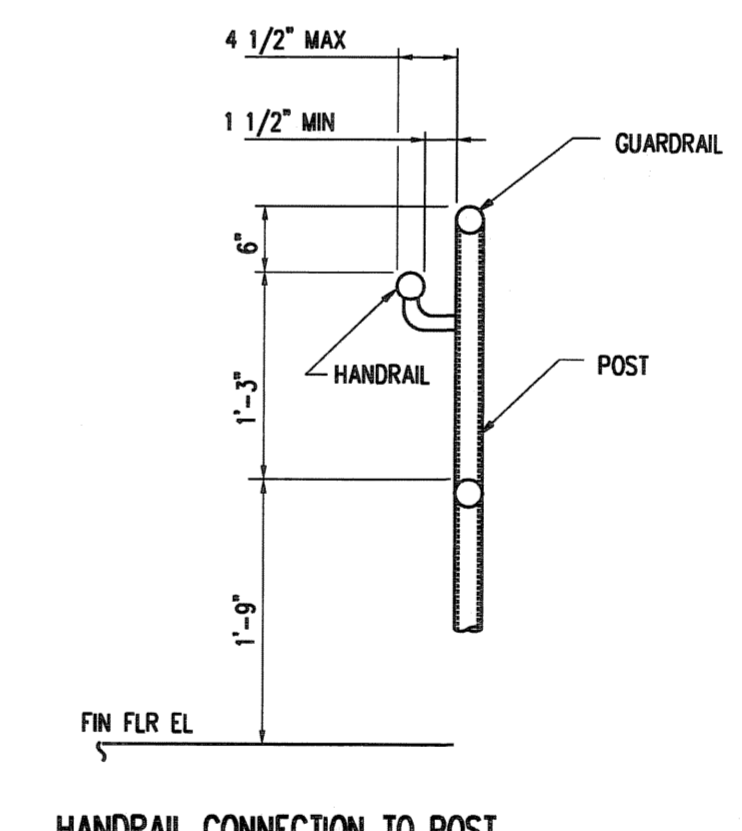
SECTION B



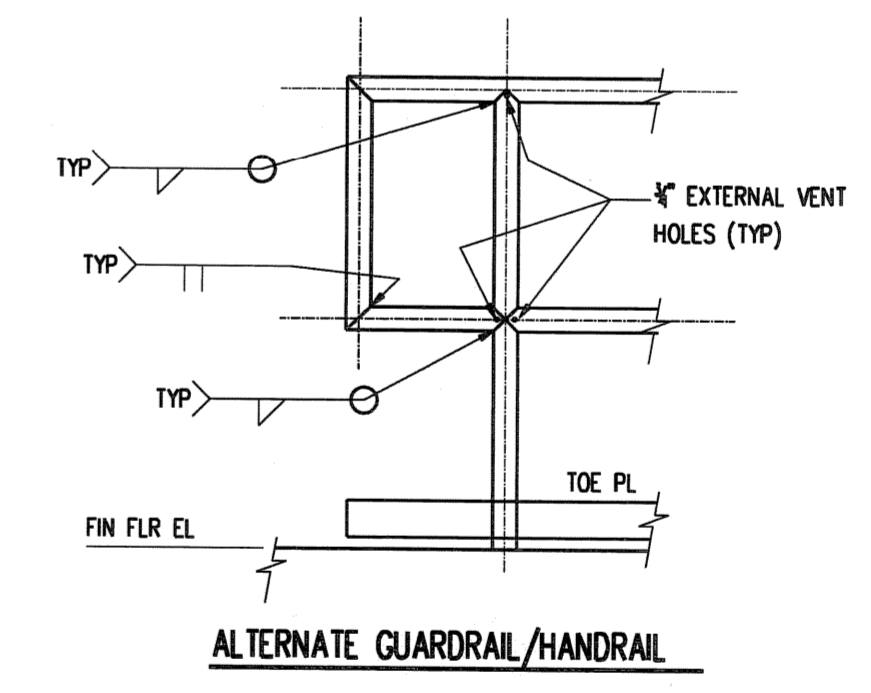
SECTION C



GUARDRAIL & HANDRAIL CONFIGURATION DETAIL
DETAIL 6 WHERE IBC IS APPLICABLE



HANDRAIL CONNECTION TO POST
DETAIL 7



ALTERNATE GUARDRAIL/HANDRAIL
DETAIL 8

GENERAL NOTES:
SEE DRAWING 25474-000-SO-0000-GE001

GASSNOVA
1012936-P0-N-DRW-0002
BECHTEL BECHTEL POWER CORPORATION
FREDERICK, MARYLAND

CO2 KARSTO PROJECT
STRUCTURAL STEEL SHEET
TYPICAL SECTIONS AND DETAILS

Job No.	25474-000	Drawing No.	SO-0000-00002	Rev.	0
---------	-----------	-------------	---------------	------	---