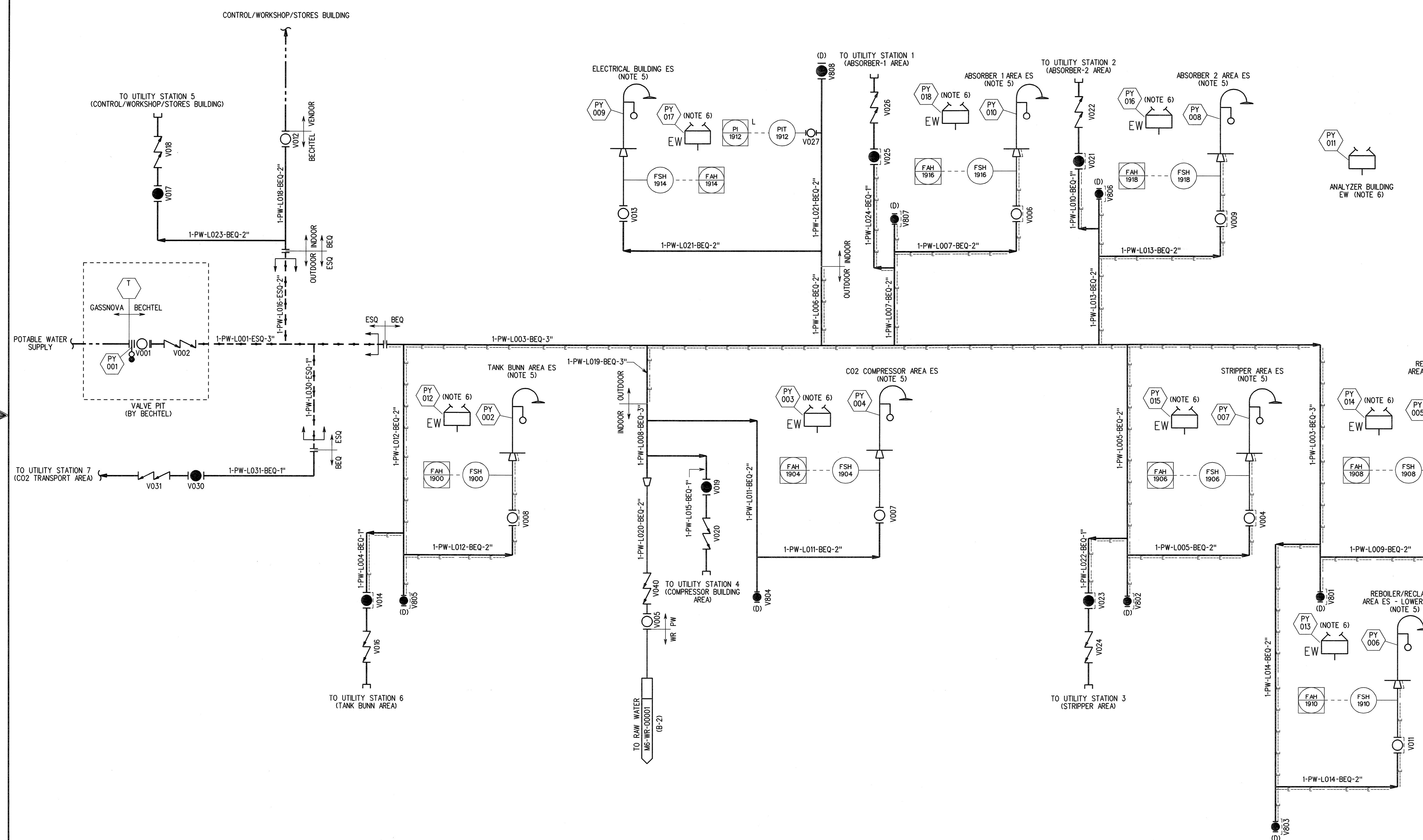


- NOTES:
1. FOR SYMBOLS AND LEGENDS SEE DRAWINGS M6J-YA-0001 THROUGH M6J-YA-0005.
 2. ALL LINES, VALVES, EQUIPMENT, AND INSTRUMENT NUMBERS ARE PREFIXED WITH "PW", UNLESS NOTED OTHERWISE.
 3. ALL VENTS, DRAINS AND INSTRUMENTATION ROOT VALVES ARE "1", UNLESS NOTED OTHERWISE.
 4. * SYMBOL INDICATES EQUIPMENT SUPPLIED BY VENDOR.
 5. TEMPERATURE CONTROLLED EMERGENCY SAFETY SHOWER. (INTEGRAL IN-LINE HEATER SUPPLIED WITH SHOWER.)
 6. BOTTLED WATER FILLED TEMPERATURE CONTROLLED EYEWASH. (INTEGRAL HEATER SUPPLIED WITH EYEWASH.)



Bechtel Confidential
 CH2M HILL LOWRY CORPORATION, ALL RIGHTS RESERVED. THIS DOCUMENT CONTAINS INFORMATION THAT IS CONFIDENTIAL AND PROPRIETARY TO BECTEL AND MAY NOT BE REPRODUCED OR DISCLOSED IN ANY FORM OR BY ANY MEANS, WITHOUT BECTEL'S PRIOR WRITTEN PERMISSION. THIS DOCUMENT IS ISSUED EXCLUSIVELY FOR SKANSKA IN CONNECTION WITH THE PREPARATION OF THE FEED STUDY FOR THE CO2 CAPTURE FACILITY AT ARNISO, NORWAY, AND IS NOT TO BE RELIED UPON BY OTHERS OR USED IN CONNECTION WITH ANY OTHER PROJECT.

NO.	DATE	ISSUED FOR APPROVAL	BY	CHK	MECH SUPV	CS SUPV	PD SUPV	PROJ ENGR
1	11/11/11	ISSUED FOR APPROVAL	NP	WLS	WLS	WLS	WLS	WLS
2	11/11/11	REVISIONS						
SCALE		DESIGNED	DRAWN	PM		WLS		

BECTEL POWER CORPORATION
 FREDERICK, MARYLAND

CO2 KARSTO PROJECT

PIPING & INSTRUMENT DIAGRAM
POTABLE WATER SYSTEM

GASSNOVA	OWNER DOCUMENT NUMBER 10112936-PB-P-PID-0051	JOB NO. 25474-000	DRAWING NO. M6-PW-00001	REV 0
-----------------	---	----------------------	----------------------------	----------

LEVELS 1 2 3 4 5 6 7 8 9 10 11 12 13 14 15 16 17 18 19 20 21 22 23 24 25 26 27 28 29 30 31 32 33 34 35 36 37 38 39 40 41 42 43 44 45 46 47 48 49 50 51 52 53 54 55 56 57 58 59 60 61 62 63 64 65 66 67 68 69 70 71 72 73 74 75 76 77 78 79 80 81 82 83 84 85 86 87 88 89 90 91 92 93 94 95 96 97 98 99 100

6

5

4

3

A R I 2

D
C
B
A