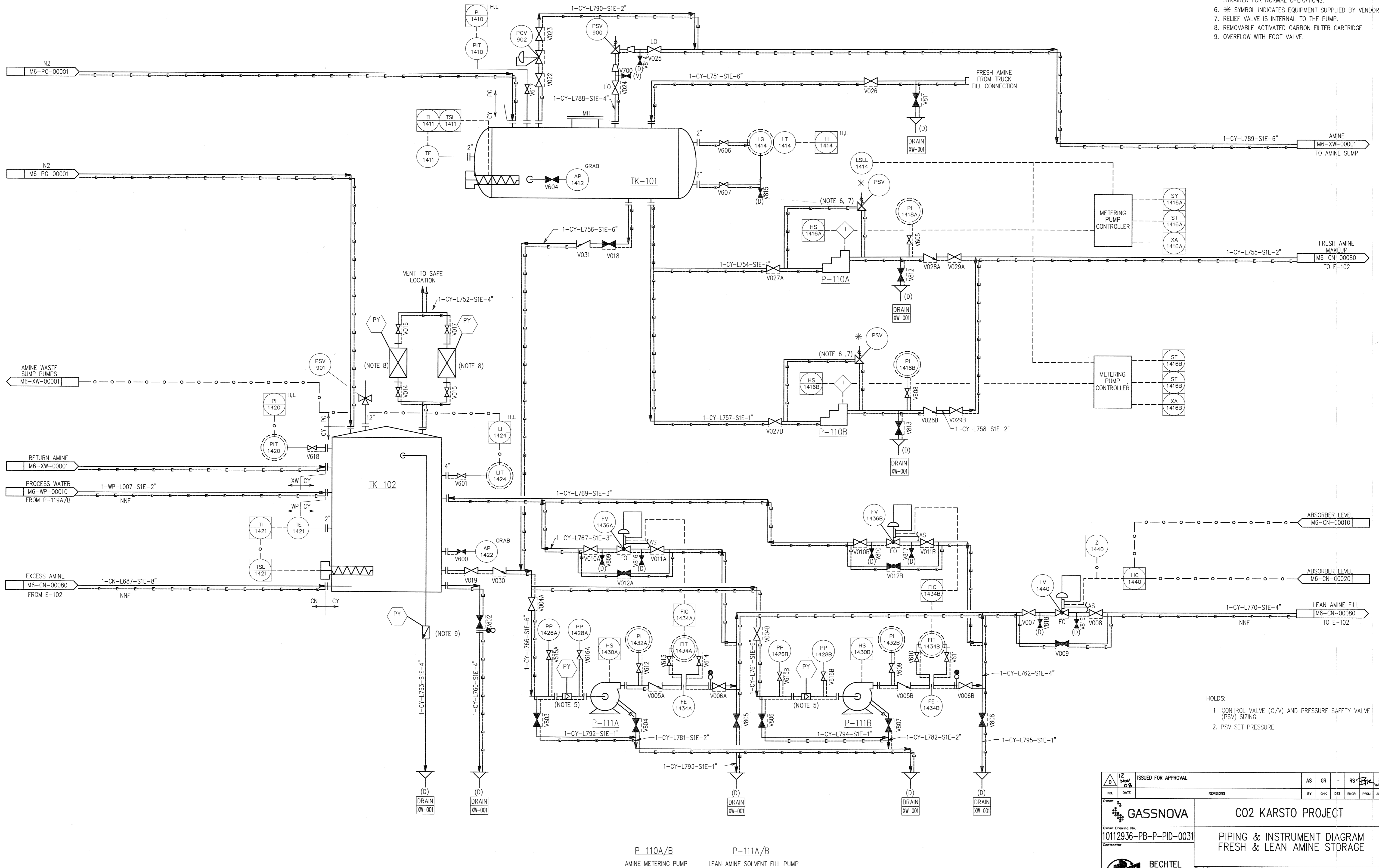


© Bechtel Corporation 2008. All rights reserved. Bechtel, Confidential. Contains information that is confidential and proprietary to Bechtel and may not be used, reproduced, or disclosed in any format without Bechtel's prior written permission. This document is prepared exclusively for Gassnova in connection with the preparation of the FEED study for the CO2 Capture Facility at Karsto, Norway, and is not to be relied upon by others or used in connection with any other project.

TK-101 AMINE STORAGE TANK (CONCENTRATED) (INSULATED)
 TK-102 LEAN AMINE SOLVENT (35% MEA) STORAGE TANK (INSULATED)

- NOTES:
- FOR SYMBOLS AND LEGENDS SEE DRAWINGS M6J-YA-0001 THROUGH M6J-YA-0005.
 - ALL LINES, VALVES, EQUIPMENT, AND INSTRUMENT NUMBERS ARE PREFIXED WITH "CY", UNLESS NOTED OTHERWISE.
 - ALL VENTS, DRAINS AND INSTRUMENTATION ROOT VALVES ARE 1", UNLESS NOTED OTHERWISE.
 - EQUIPMENT TO BE HEAT TRACED.
 - START UP STRAINER TO BE REMOVED SUBSEQUENT TO PLANT COMMISSIONING. TO BE REPLACED BY A COARSE STRAINER FOR NORMAL OPERATIONS.
 - * SYMBOL INDICATES EQUIPMENT SUPPLIED BY VENDOR.
 - RELIEF VALVE IS INTERNAL TO THE PUMP.
 - REMOVABLE ACTIVATED CARBON FILTER CARTRIDGE.
 - OVERFLOW WITH FOOT VALVE.



- HOLDS:
- CONTROL VALVE (C/V) AND PRESSURE SAFETY VALVE (PSV) SIZING.
 - PSV SET PRESSURE.

P-110A/B AMINE METERING PUMP
 P-111A/B LEAN AMINE SOLVENT FILL PUMP

ISSUED FOR APPROVAL		AS	GR	-	RS	JD
NO.	DATE	BY	CHK	DES	ENGR.	PROJ. APPR.
GASSNOVA		CO2 KARSTO PROJECT				
10112936-PB-P-PID-0031		PIPING & INSTRUMENT DIAGRAM FRESH & LEAN AMINE STORAGE				
BECHTEL POWER CORPORATION FREDERICK, MARYLAND		Sheet Size	594x841 "A1"	Scale	N.T.S.	
JOB NO.		25474		DRAWING NO.		000-M6-CY-00010
REV.		0				