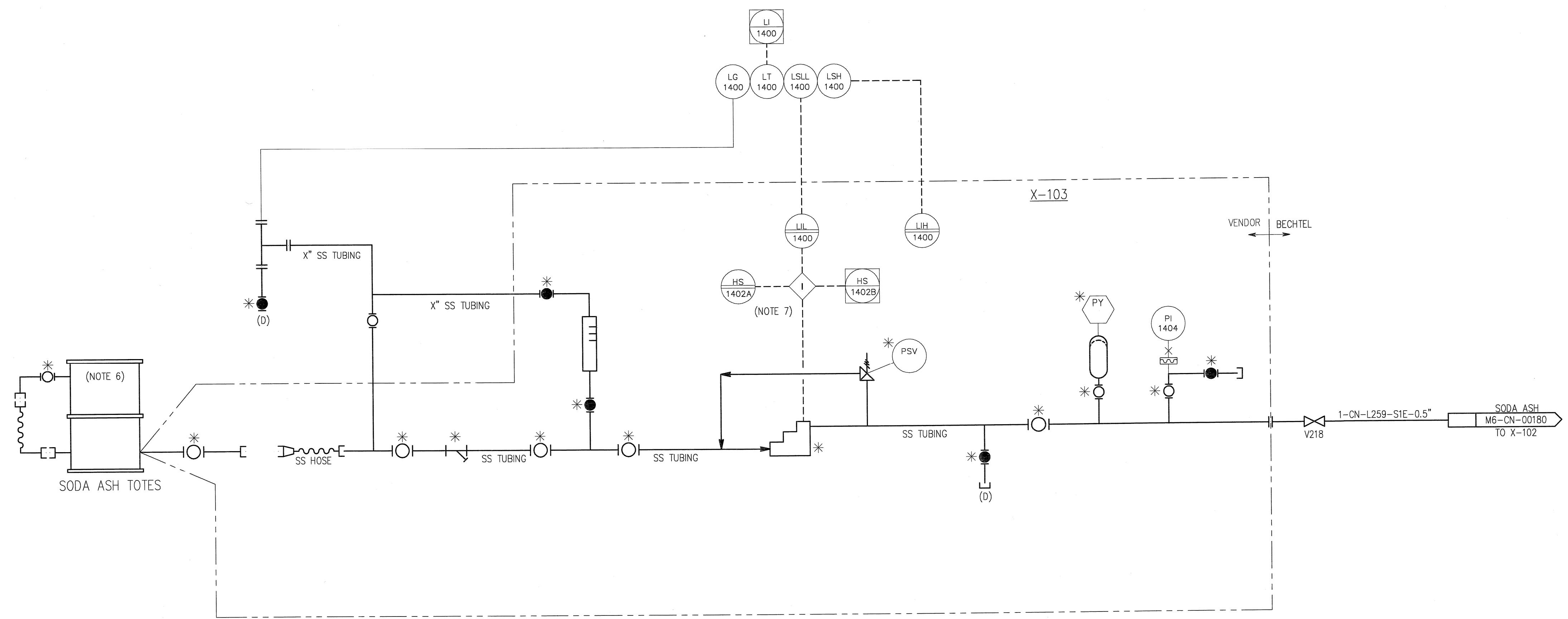


© Bechtel Corporation 2008. All rights reserved. Bechtel, Confidential and proprietary to Bechtel and may not be used, reproduced, or disclosed in any format without the prior written permission of Bechtel Corporation. This document is prepared exclusively for Gassnova in connection with the preparation of the FEED study for the CO2 capture facility at Karsto, Norway, and is not to be relied upon or used in connection with any other project.

**X-103 (NOTE 5)**  
 RECLAIMER CHEMICAL FEED PACKAGE

- NOTES:
1. FOR SYMBOLS AND LEGENDS SEE DRAWINGS M6J-YA-00001 THROUGH M6J-YA-00005.
  2. ALL LINES, VALVES, EQUIPMENT, AND INSTRUMENT NUMBERS ARE PREFIXED WITH "CN", UNLESS NOTED OTHERWISE.
  3. ALL VENTS, DRAINS AND INSTRUMENTATION ROOT VALVES ARE "1", UNLESS NOTED OTHERWISE.
  4. \* SYMBOL INDICATES EQUIPMENT SUPPLIED BY VENDOR.
  5. DETAILS TO BE CONFIRMED BY VENDOR.
  6. EQUIPMENT TO BE HEAT TRACED IF IT IS LOCATED OUTDOOR.



	13 Nov 08	ISSUED FOR APPROVAL	KJ DM - RS	02 12
NO. DATE		REVISIONS		
Owner <b>GASSNOVA</b>		<b>CO2 KARSTO PROJECT</b>		
Owner Drawing No. 10112936-PB-P-PID-0030		<b>PIPING &amp; INSTRUMENT DIAGRAM          CHEMICAL FEED PACKAGE</b>		
Contractor <b>BECHTEL POWER CORPORATION</b> FREDERICK, MARYLAND		Sheet Size 594x841 "A1"	Scale N.T.S.	
		JOB NO. 25474	DRAWING NO. 000-M6-CN-00190	REV. 0