

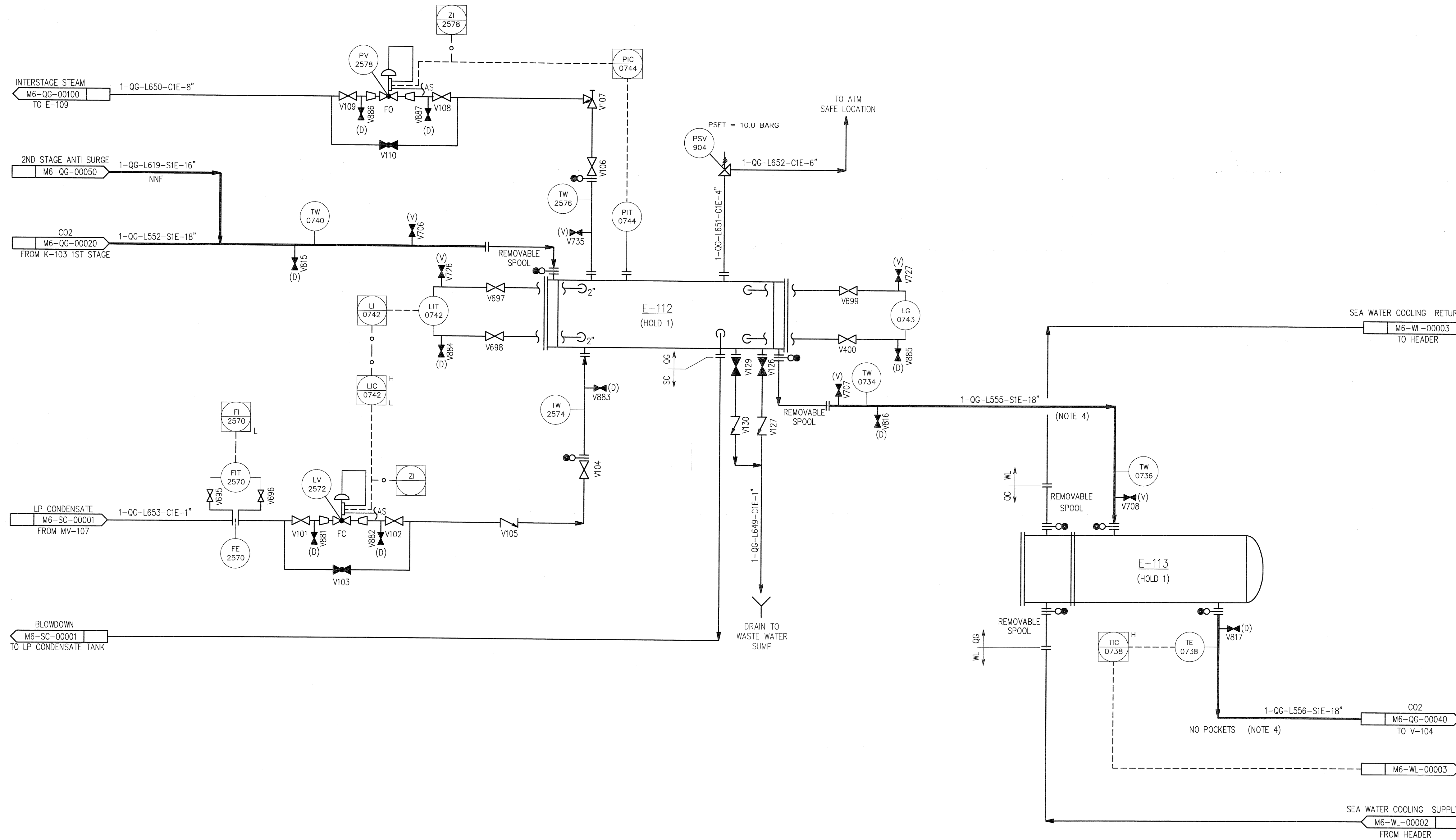
©Bechtel Corporation, 2008. All rights reserved. Bechtel, Confidential. Contains information that is confidential and proprietary to Bechtel and may not be used, reproduced, or disclosed in any format without Bechtel's prior written permission. This document is prepared exclusively for Gassnova in connection with the preparation of the FEED study for the CO2 Capture Facility at Kursto, Norway, and is not to be relied upon by others or used in connection with any other project.

E-112 (HOLD 1)  
CO2 COMPRESSOR 1ST STAGE  
STEAM GENERATOR

E-113  
CO2 COMPRESSOR 1ST STAGE  
INTERCOOLER

- NOTES:
- FOR STANDARD SYMBOLS, DETAILS AND LEGENDS SEE DRAWINGS M6J-YA-00001 THROUGH M6J-YA-00005.
  - ALL LINES, VALVES, EQUIPMENT, AND INSTRUMENT NUMBERS ARE PREFIXED WITH "QC", UNLESS NOTED OTHERWISE.
  - ALL VENTS, DRAINS AND INSTRUMENTATION ROOT VALVES ARE "1", UNLESS OTHERWISE NOTED.
  - TWO PHASE FLOW.
  - EQUIPMENTS, INSTRUMENTS & PIPING ASSUMED TO BE INSIDE HEATED BUILDING.

- HOLDS:
- EQUIPMENT VENDOR INFORMATION.
  - CONTROL VALVE (C/V) AND PRESSURE SAFETY VALVE (PSV) SIZES.



		<b>GASSNOVA</b> Owner Drawing No. 10112936-PB-P-PID-0034		<b>CO2 KARSTO PROJECT</b> PIPING & INSTRUMENT DIAGRAM CO2 COMPRESSOR 1ST STAGE STEAM GENERATOR AND INTERCOOLER	
		<b>BECHTEL</b> BECHTEL POWER CORPORATION FREDERICK, MARYLAND		SHEET SIZE: 594x841 "A1" SCALE: N.T.S. JOB NO. 25474 DRAWING NO. 000-M6-QG-00030 REV. 0	