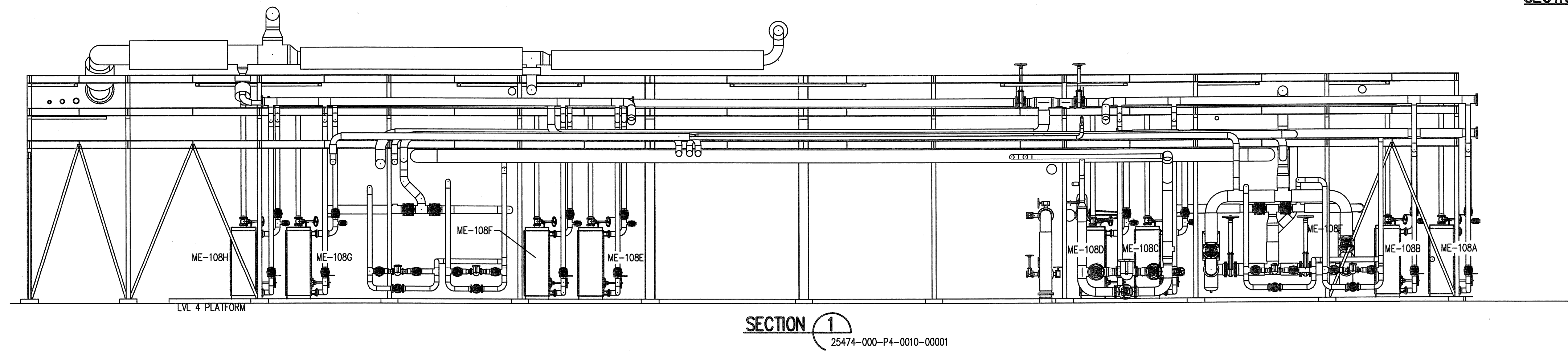
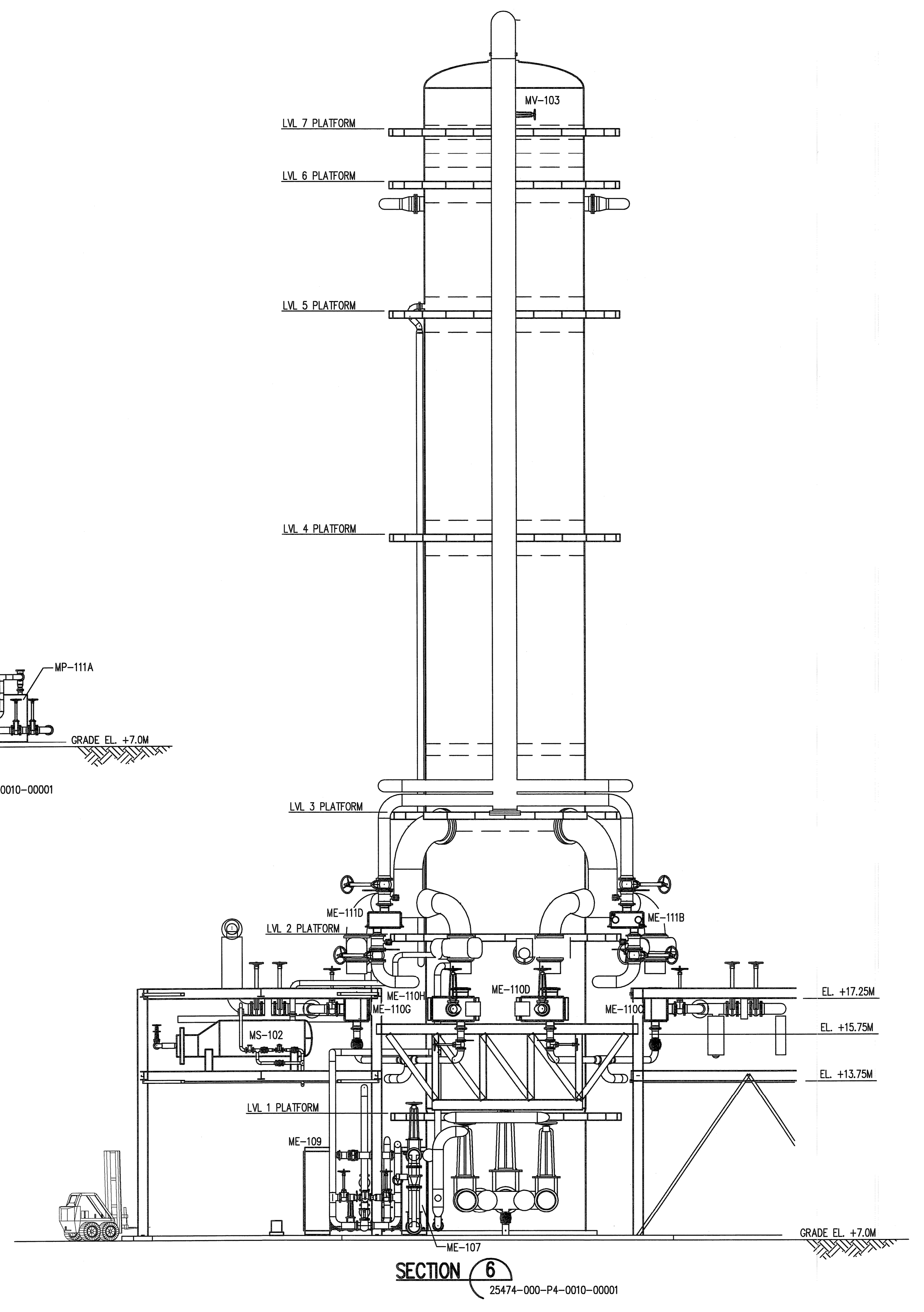
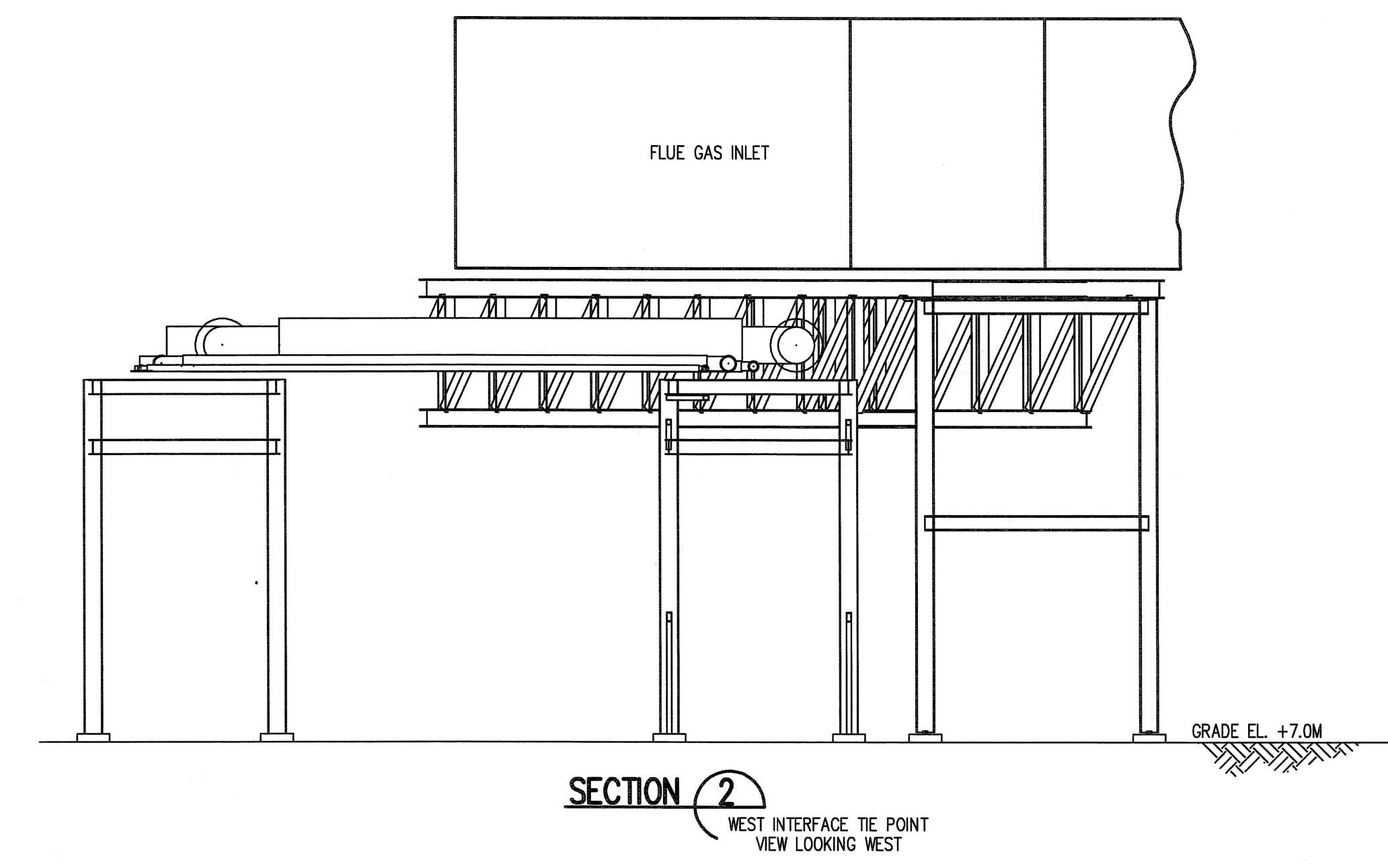
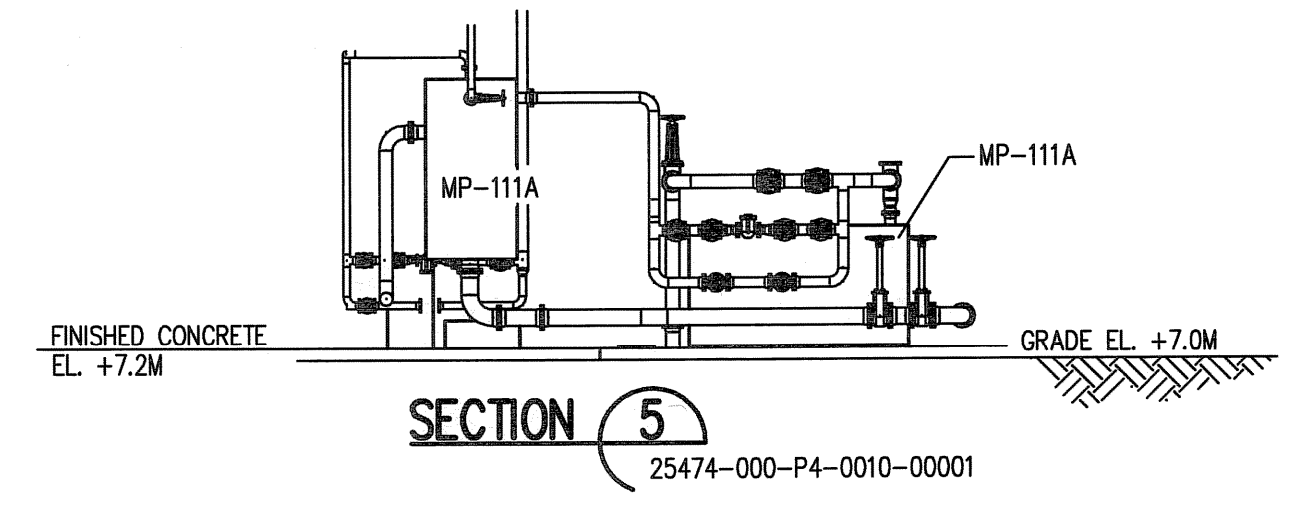
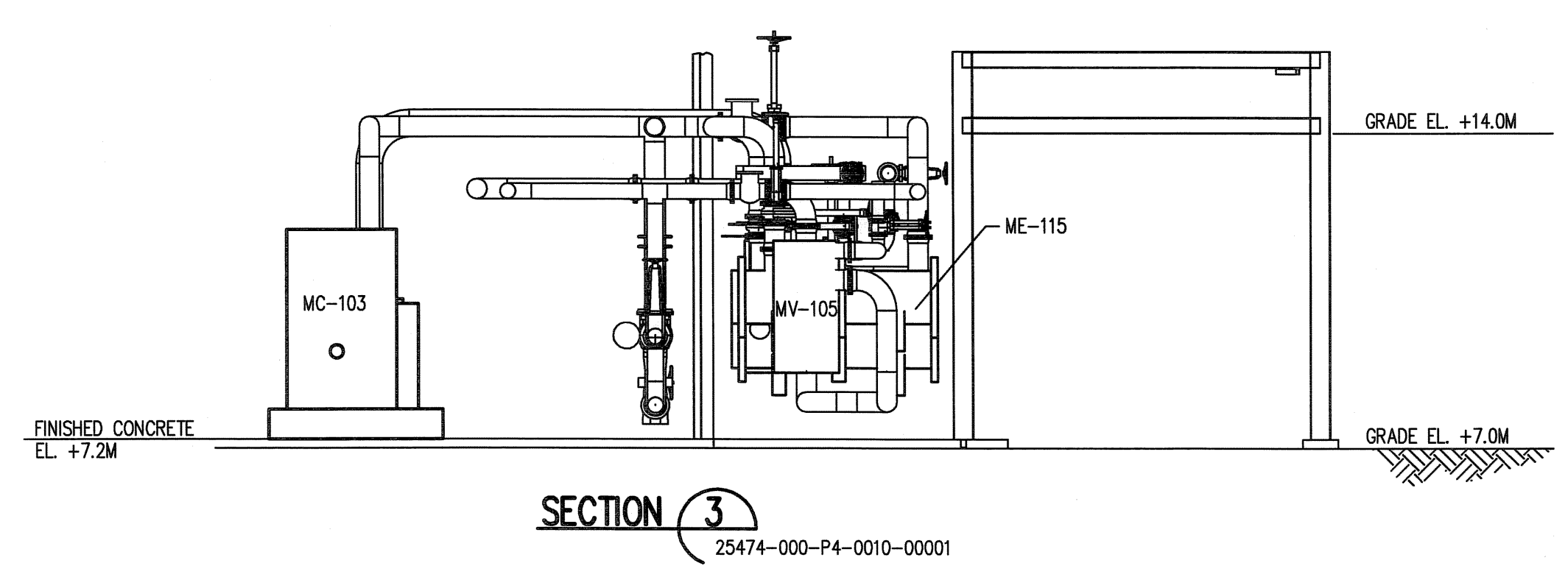
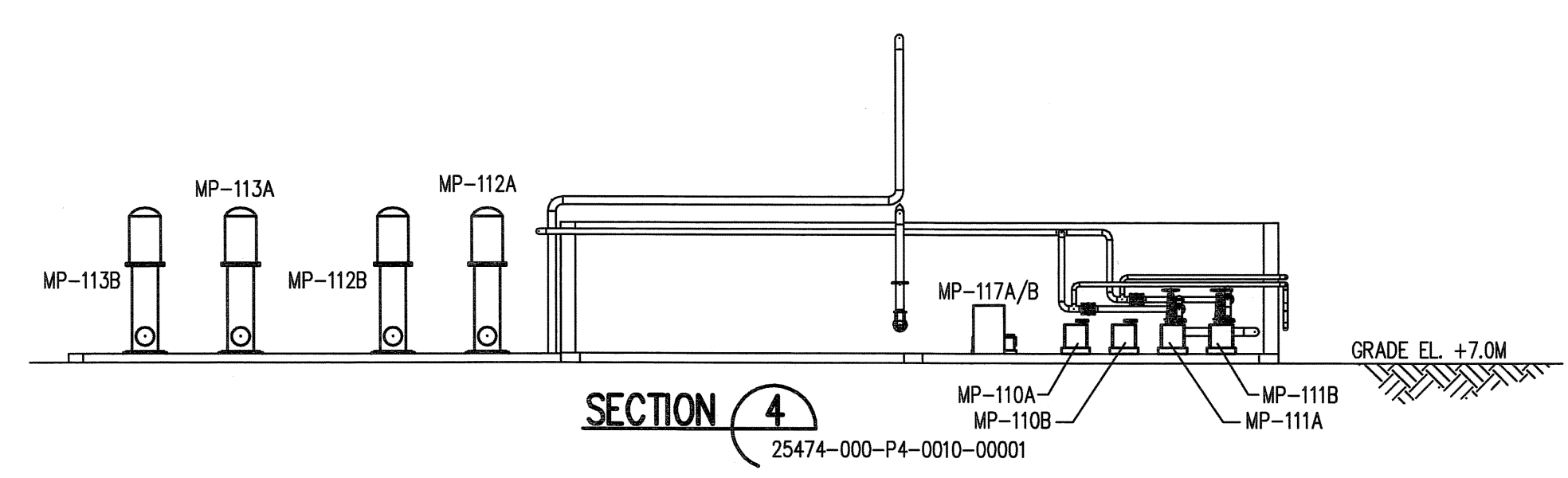


©Bechtel Corporation 2008. All rights reserved. Bechtel, Confidential. Contains information that is confidential and proprietary to Bechtel and may not be used, reproduced, or disclosed in any format without Bechtel's prior written permission. This document is prepared exclusively for Gassnova in connection with the preparation of the FEED study for the CO2 Capture Facility at Karsto, Norway, and is not to be relied upon by others or used in connection with any other project.

1 2 3 4 5 6 7 8 9 10 11 12 13 14 15 16

M L K J H G F E D C B A



1 2 3 4 5 6 7 8 9 10 11 12 13 14 15 16

ISSUED FOR APPROVAL		KLU	
NO.	DATE	REVISIONS	BY
GASSNOVA		CO2 KARSTO PROJECT	
10112936-PB-L-DRAW-0007		PIPING ARRANGEMENT SECTIONS AND ELEVATIONS	
BECHTEL POWER CORPORATION		Scale: 1:125	
JOB NO.	DRAWING NO.	REV.	
25474	P4-0010-00007	0	