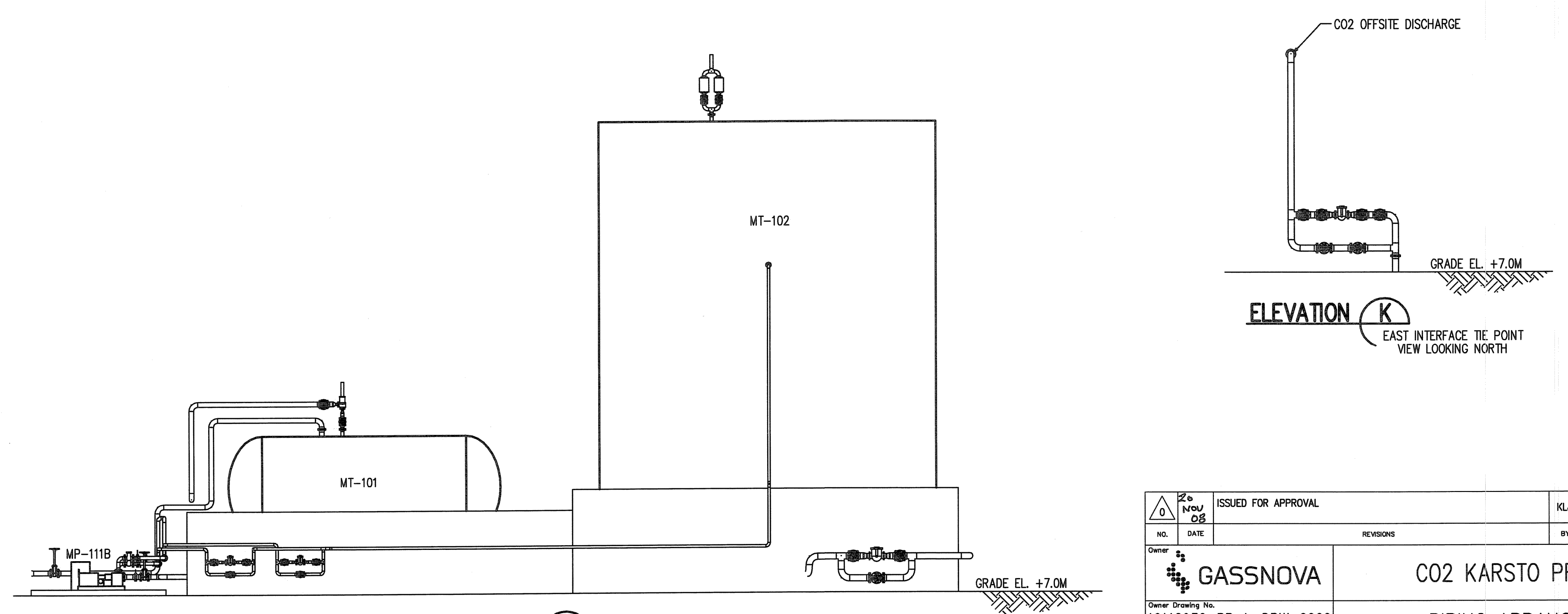
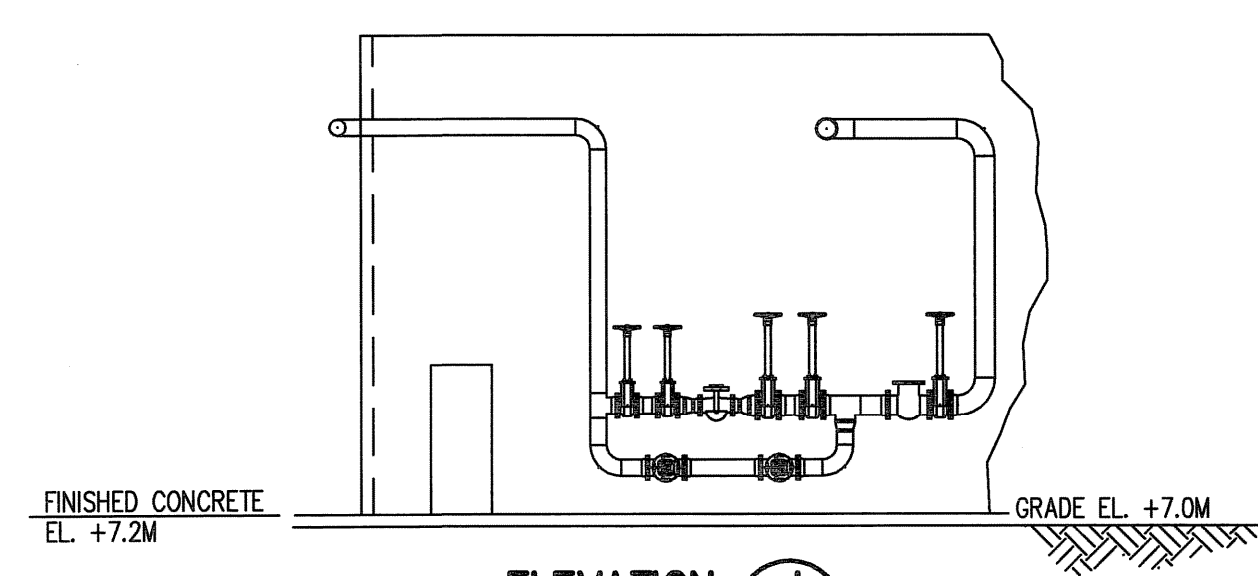
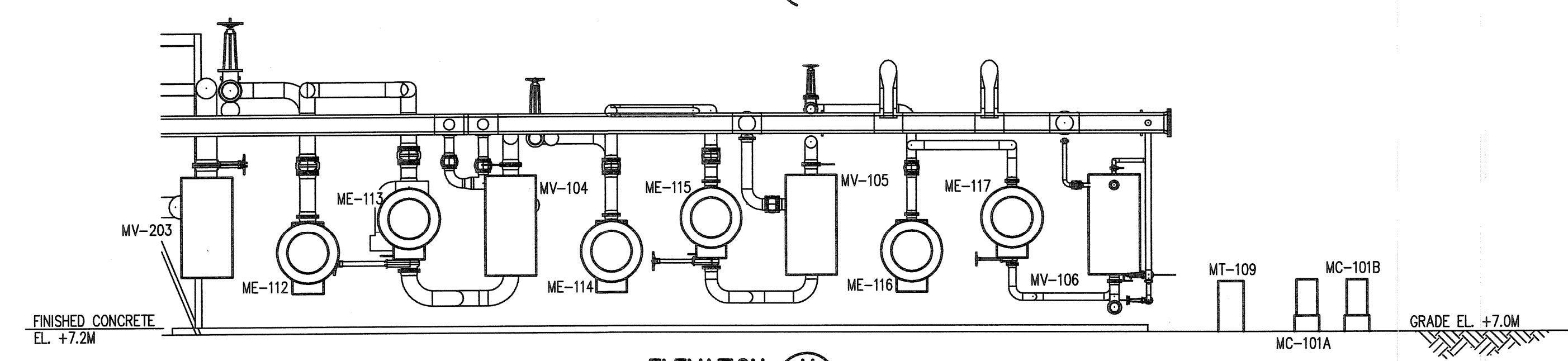
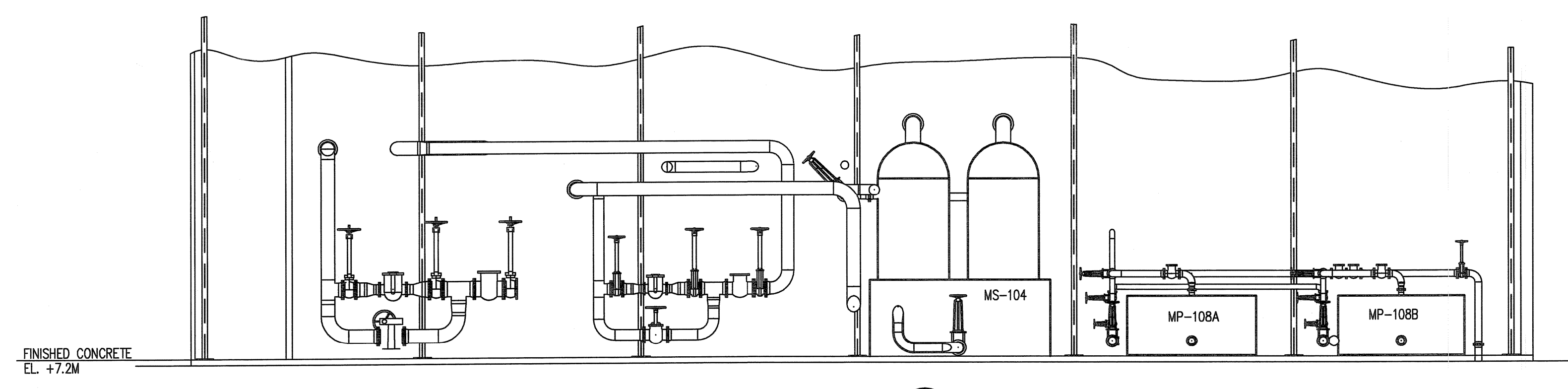
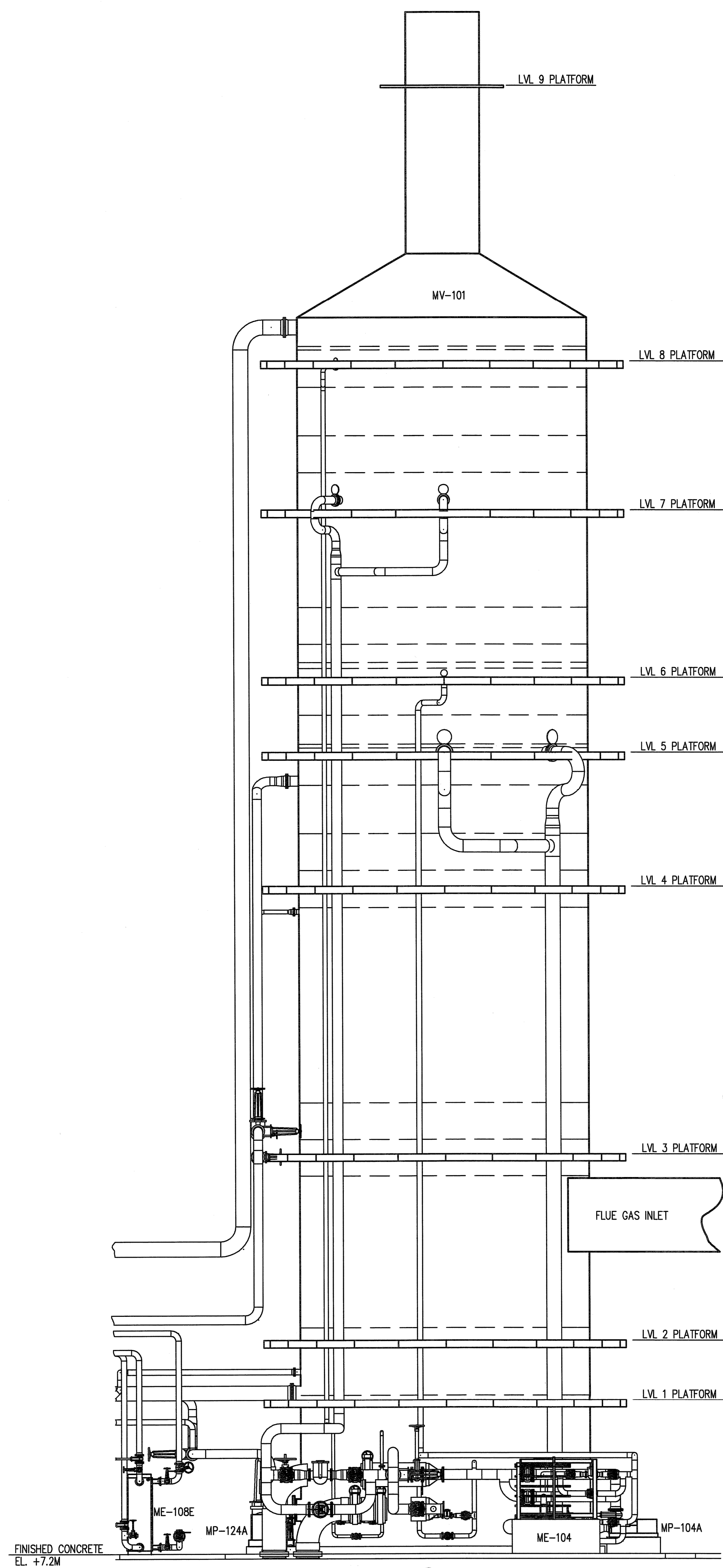


© Bechtel Corporation 2010. All rights reserved. Bechtel, Confidential, contains information that is confidential and proprietary to Bechtel and may not be used, reproduced, or disclosed in any format without Bechtel's prior written permission. This document is prepared exclusively for Gassnova in connection with the preparation of the FEED study for the CO2 Capture Facility at Karsto, Norway, and is not to be relied upon by others or used in connection with any other project.

1 2 3 4 5 6 7 8 9 10 11 12 13 14 15 16

M
L
K
J
H
G
F
E
D
C
B
A



 GASSNOVA Owner Drawing No. 10112936-PB-L-DRW-0006 Contractor	ISSUED FOR APPROVAL NO. DATE REVISIONS		K/LJ BY CHK EES ENGR. PROJ. APPR.	
	JOB NO. 25474		DRAWING NO. P4-0010-00006	
 BECHTEL BECHTEL POWER CORPORATION FREDERICK, MARYLAND	Sheet Size 594x841 "A1" Scale 1:125	REV. 0		

1 2 3 4 5 6 7 8 9 10 11 12 13 14 15 16