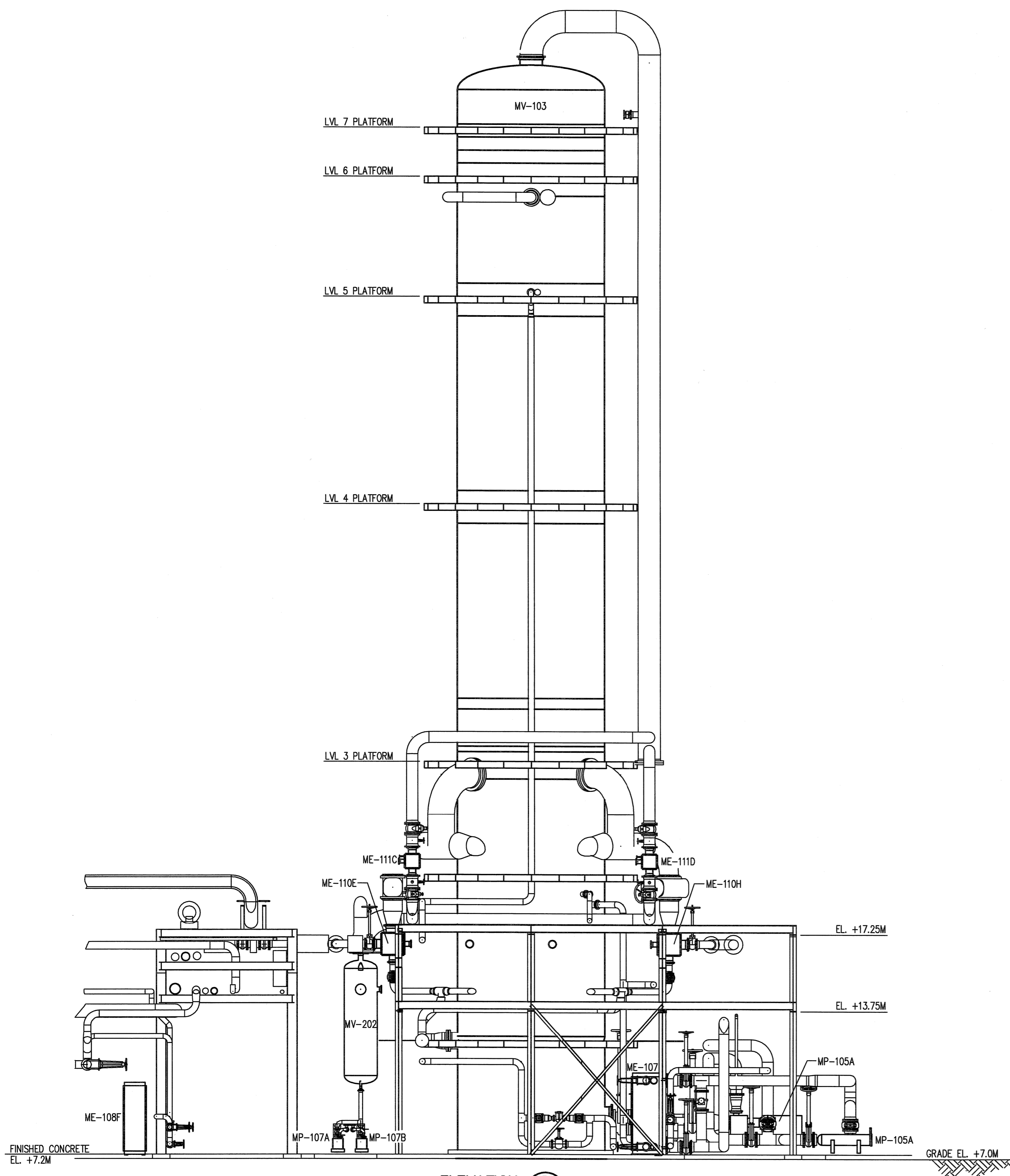


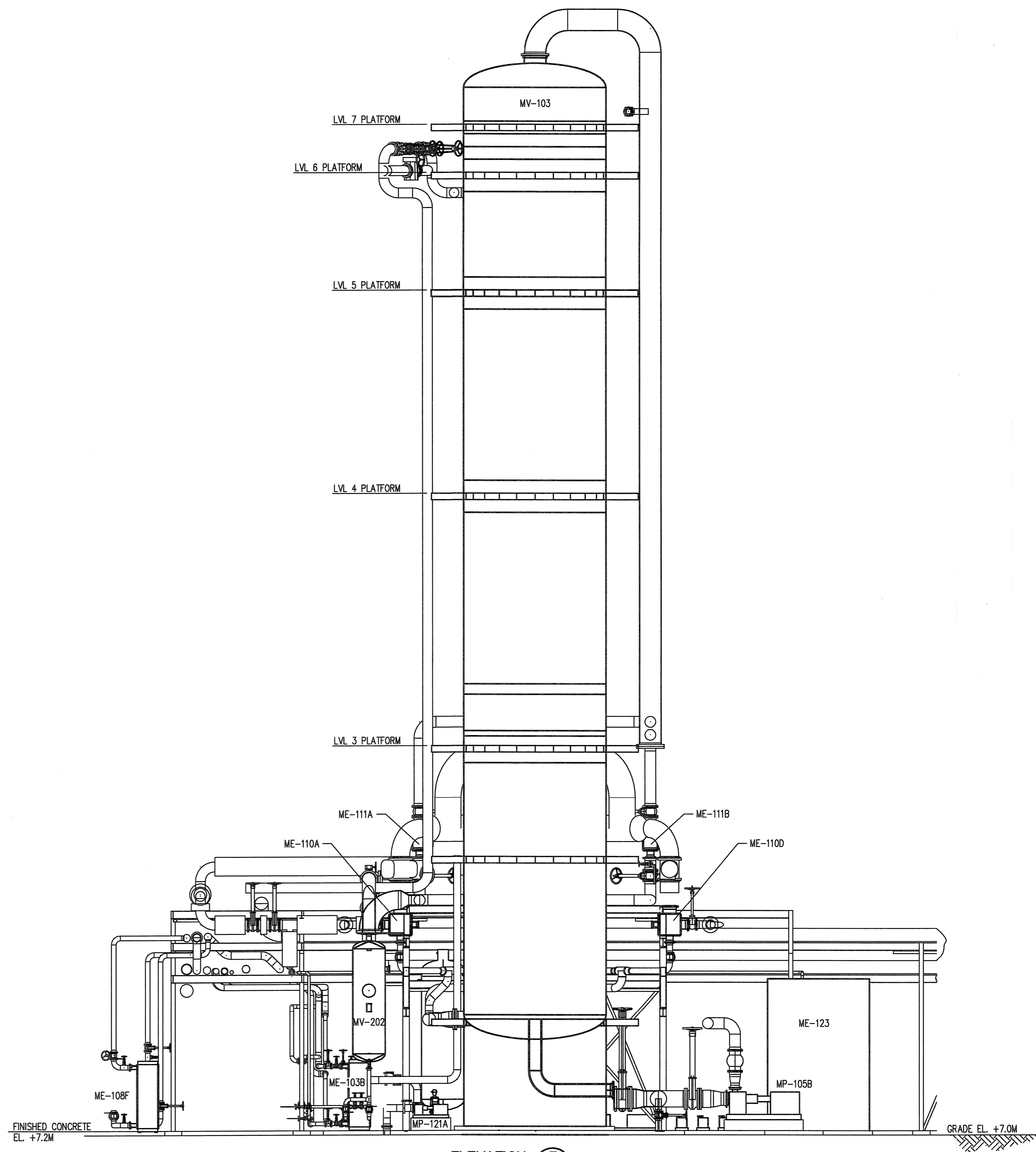
©Bechtel Corporation 2006. All rights reserved. Bechtel, Confidential, contains information that is confidential and proprietary to Bechtel and may not be used, reproduced, or disclosed in any format without Bechtel's prior written permission. This document is prepared exclusively for Gassnova in connection with the preparation of the FEED study for the CO2 Capture Facility at Karsto, Norway, and is not to be relied upon by others or used in connection with any other project.

1 2 3 4 5 6 7 8 9 10 11 12 13 14 15 16

M L K J H G F E D C B A



ELEVATION D
25474-000-P4-0010-00001



ELEVATION E
25474-000-P4-0010-00001

| | | | |
|--|--|--|--|
| | | C02 KARSTO PROJECT | |
| Owner: GASSNOVA Design Drawing No.: 10112936-PB-L-DRW-0005 Contractor: | | PIPING ARRANGEMENT SECTIONS AND ELEVATIONS | |
| | | BECHTEL POWER CORPORATION FREDERICK, MARYLAND | |
| SHEET NO. 25474 | | DRAWING NO. P4-0010-00005 | |
| JOB NO. 25474 | | REV. 0 | |

1 2 3 4 5 6 7 8 9 10 11 12 13 14 15 16

A B C D E F G H J K L M