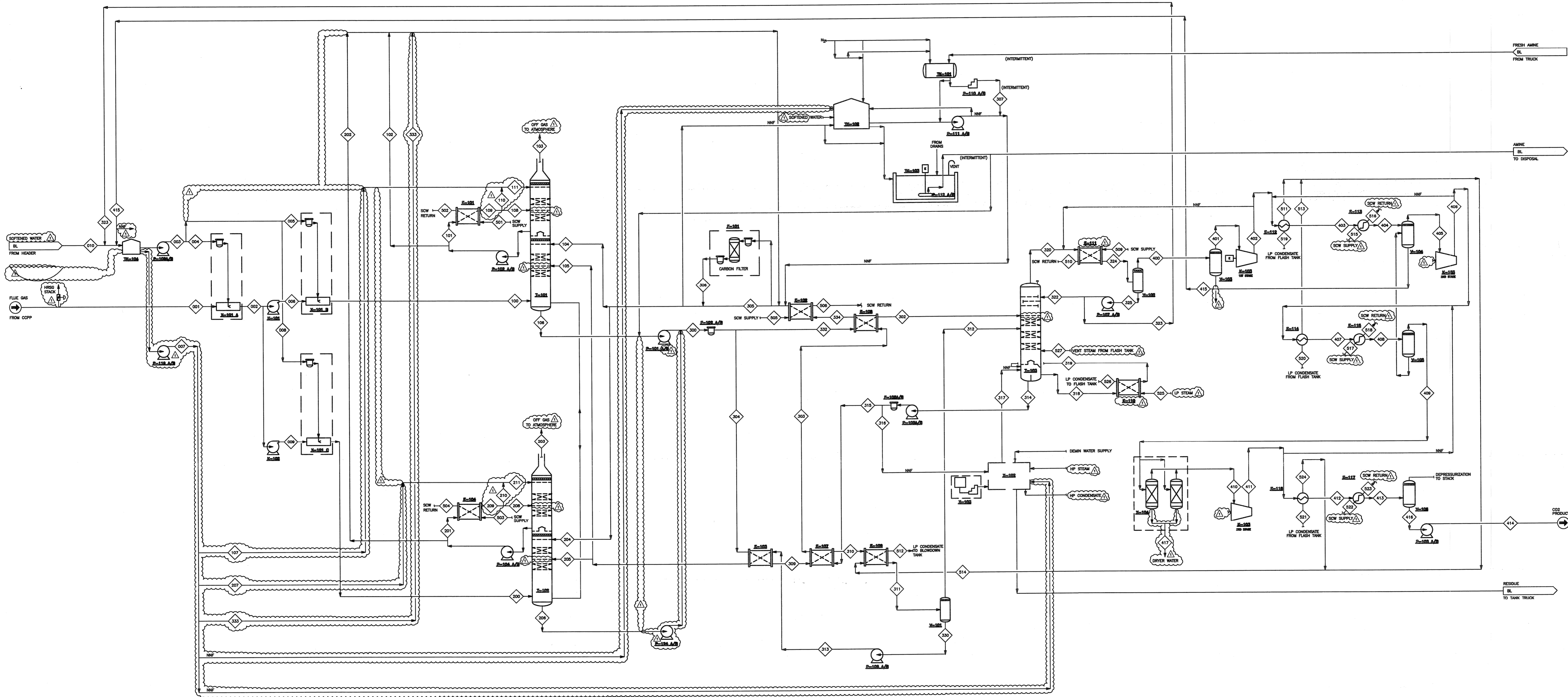


©Bechtel Corporation, 2008. All rights reserved. Bechtel, Confidential, contains information that is confidential and proprietary to Bechtel and may not be used, reproduced, or disclosed in any form without Bechtel's prior written permission. Bechtel is not to be relied upon by others or used in connection with any other project.



14	RE-ISSUED FOR COMMENT	GR	DM	-	RS	By: [Signature]			
10/10/08	ISSUED FOR COMMENT	KJ	DM	-	RS	-			
NO.	DATE	REVISIONS		BY	CHK	DES	ENGR.	PRD	APPR
Owner: <b>GASSNOVA</b>		<b>CO2 KARSTO PROJECT</b>							
Owner Drawing No. 10112936-PB-P-HMB-0002		PROCESS HEAT & MASS BALANCE DIAGRAM							
Contractor: <b>BECHTEL POWER CORPORATION</b> FREDERICK, MARYLAND		Sheet Size: 594x841 "A1"	Scale: N.T.S.		JOB NO. 25474		DRAWING NO. 000-M4-CN-00002		REV. 1