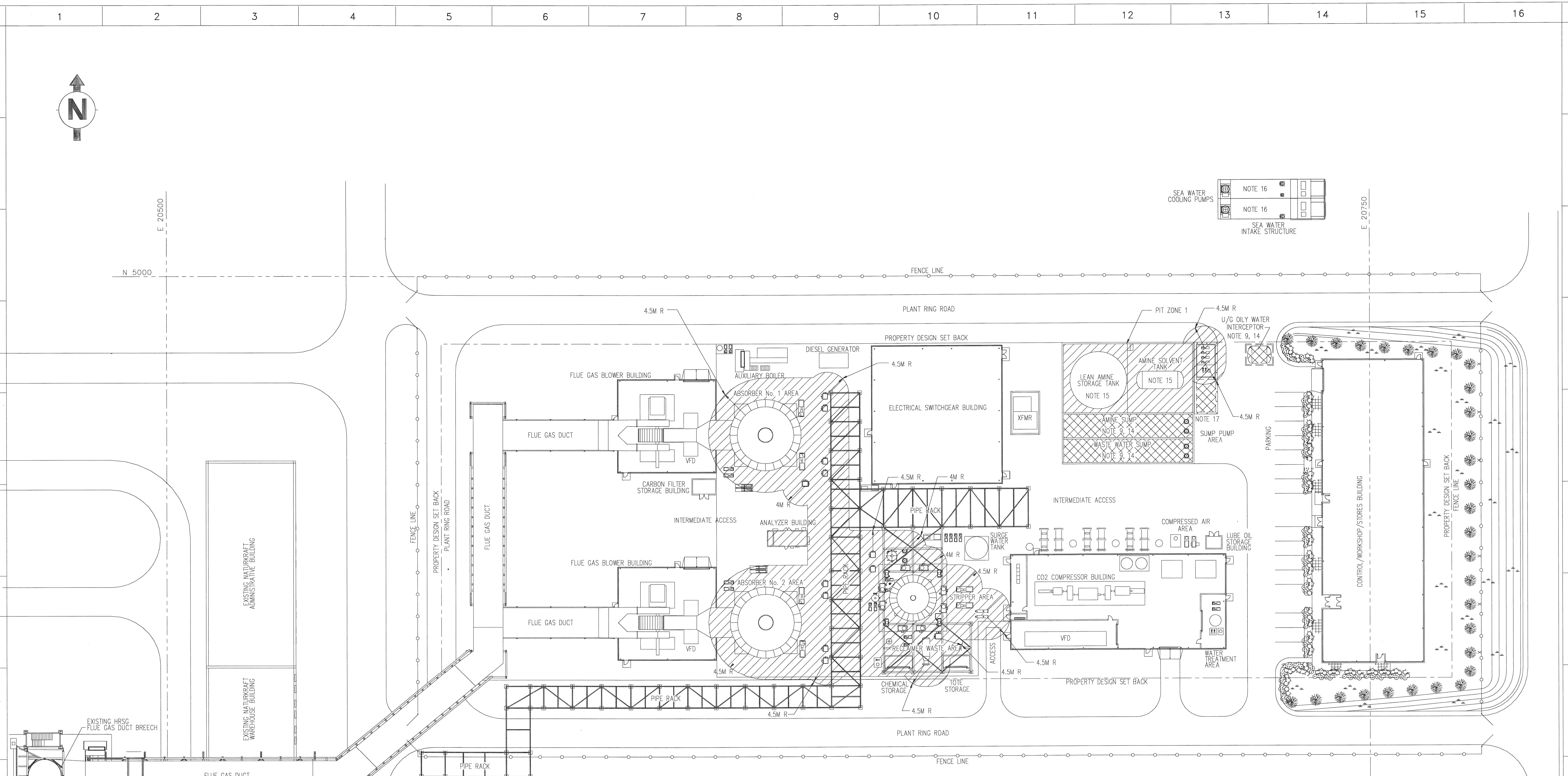
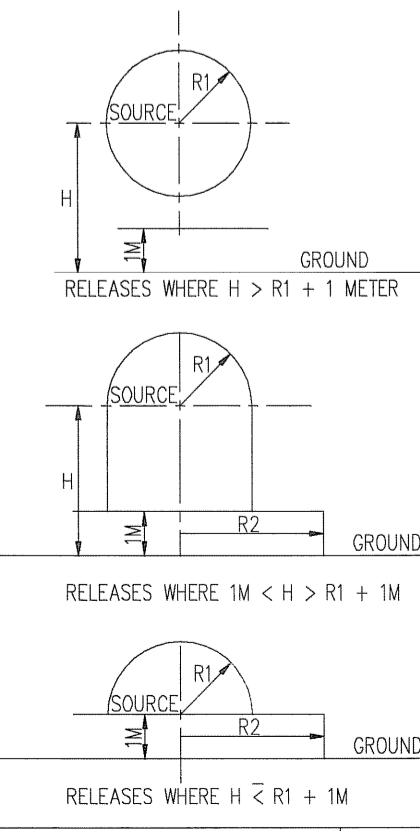


© Bechtel Corporation 2008. All rights reserved. Bechtel Confidential. Contains information that is confidential and proprietary to Bechtel and may not be used, reproduced, or disclosed in any form without Bechtel's prior written permission. This document is prepared exclusively for Gassnova in connection with the preparation of the FEED study for the CO2 Capture Facility at Karsto, Norway, and is not to be relied upon by others or used in connection with any other project.

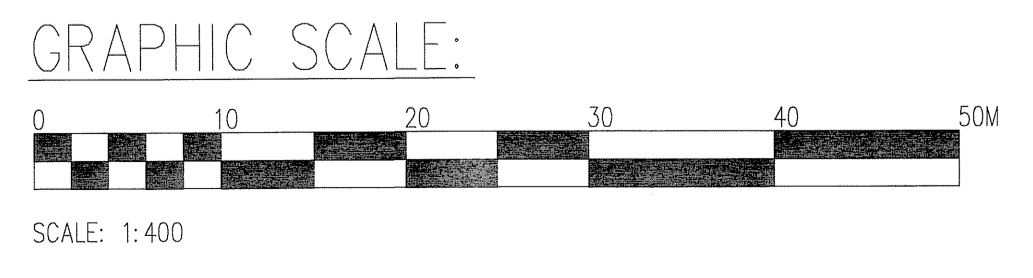


NOTES:

- THIS DRAWING IS FOR AREA CLASSIFICATION PURPOSES ONLY.
- ALL DIMENSIONS ARE IN METERS UNLESS NOTED OTHERWISE.
- AREA CLASSIFICATION HAS BEEN BASED ON THE "INSTITUTE OF PETROLEUM: AREA CLASSIFICATION CODE FOR INSTALLATIONS HANDLING FLAMMABLE FLUIDS PART 15 OF THE IP MODEL CODE OF SAFE PRACTICE IN THE PETROLEUM INDUSTRY, 3RD EDITION, JULY 2005.
- FOR INDIVIDUAL EQUIPMENT PRODUCT AND HAZARD RADIUS DETAILS REFER TO HAZARDOUS AREA CLASSIFICATION SCHEDULE, DOC NO: 25474-000-2HP-H04G-00001.
- AS A MINIMUM ALL ELECTRICAL EQUIPMENT INSTALLED IN CLASSIFIED AREAS OR OUTDOORS SHALL BE SUITABLE FOR HAZ GROUP IIA TEMPERATURE CLASS T2 IN ACCORDANCE WITH FICHTNER-GASSNOVA DOCUMENTS 10112936-F1-B-CO-0092 REV. 03 "EXHIBIT E4.2", CLAUSE 5.3, 10112936-F1-B-CO-0094 REV.01 "EXHIBIT E4.4", CLAUSE 4.3, 10112936-F1-B-CO-0101, REV.04 "EXHIBIT E5.1", CLAUSE 1.7.
- THE EXTENT OF HAZARDOUS RADIUS IS BASED ON DETAILS AND NOTES A THRU F BELOW:
 - A. R1 IS HAZARDOUS RADIUS LOCAL TO SOURCE OF RELEASE.
 - B. R2 IS HAZARDOUS RADIUS LOCAL TO SOURCE AT GRADE.
 - C. H IS HEIGHT OF SOURCE ABOVE GROUND LEVEL OR SOLID PLATFORM FLOOR.
 - D. HAZARDOUS RADIUS IS DETERMINED FROM ANNEX C OF IP 15, 3RD EDITION, TABLES 09(A) AND 09(B).
 - E. HAZARDOUS AREAS SHOWN SHALL BE CLASSIFIED AS ZONE 1 OR 2 DEPENDING ON THE GRADE OF RELEASE (SEE SECTIONS 1.6.4 & 1.6.5 OF IP 15, 3RD EDITION).
 - F. ALL PITS AND DEPRESSIONS IN HAZARDOUS AREAS SHOULD BE CONSIDERED IN ACCORDANCE WITH THE DEFINITION IN SECTION 5.4.9 OF IP 15, 3RD EDITION.
- EQUIPMENT DRAINS AND LIQUID SAMPLE POINTS ARE CLASSIFIED IN ACCORDANCE WITH TABLE 5.2 OF IP 15, 3RD EDITION.
- INSTRUMENT VENTS ARE CLASSIFIED IN ACCORDANCE WITH TABLE C9(A) OF IP 15, 3RD EDITION.
- PROCESS VENTS ARE CLASSIFIED IN ACCORDANCE WITH TABLE 5.5 AND FIG 5.3 OF IP 15, 3RD EDITION.
- PIPEWORK IN INTERCONNECTING PIPERACKS/TRACKS ARE ASSUMED TO BE FULLY WELDED AND ARE NOT CONSIDERED AS CREDIBLE SOURCES.
- RELIEF VALVES ARE ASSUMED PIPED TO FLARE OR OTHER SUITABLE LOCATION.
- RELEASE FREQUENCY I AND II AS PER IP 15. SEE HAZARDOUS AREA CLASSIFICATION SCHEDULE DOC NO 25474-000-2HP-H04G-00001.
- ALL DIMENSIONS ARE AT GRADE LEVEL IN THE VICINITY OF THE SPECIFIC ITEM OF EQUIPMENT.
- THESE UNDERGROUND OR BELOW GRADE EQUIPMENT TAGS ARE CLASSIFIED AS ZONE 1 AS PER IP 15, 3RD EDITION. UNDERGROUND SYSTEMS ARE TREATED AS VENTED, SEALED SUMPS, INTERCEPTORS AND SEPARATORS TO SECTION 5.4.8 REQUIREMENTS. ABOVE GRADE CLASSIFICATION SHALL FOLLOW NOTE 9 ABOVE FOR ATMOSPHERIC VENTS.
- ULLAGE SPACE IN TANK TO BE CLASSIFIED ZONE 0.
- SEA WATER INTAKE STRUCTURES ARE BELOW GRADE AND ARE CLASSIFIED AS ZONE 1 AS PER IP 15, 3RD EDITION.



- LEGEND:**
- CLASSIFIED AS NON HAZARDOUS AREA
 - ZONE 1 APPARATUS SUB-GROUP IIA TEMPERATURE CLASS T2
 - ZONE 2 APPARATUS SUB-GROUP IIA TEMPERATURE CLASS T2



30/11/08 ISSUED FOR COMMENT		SBR	DA	RS	APR
NO. DATE		BY	CHK	DES	ENGR
GASSNOVA Owner Drawing No. 10112936-PB-S-HSE-0010 Contributor: BECHTEL POWER CORPORATION FREDERICK, MARYLAND		CO2 KARSTO PROJECT HAZARDOUS AREA CLASSIFICATION DRAWING (PRELIMINARY)			
Sheet Size 594x841 "A1"		Scale: 1:400		REV. 0	
JOB NO. 25474		DRAWING NO. 000-U5Y-0000-00001		REV. 0	