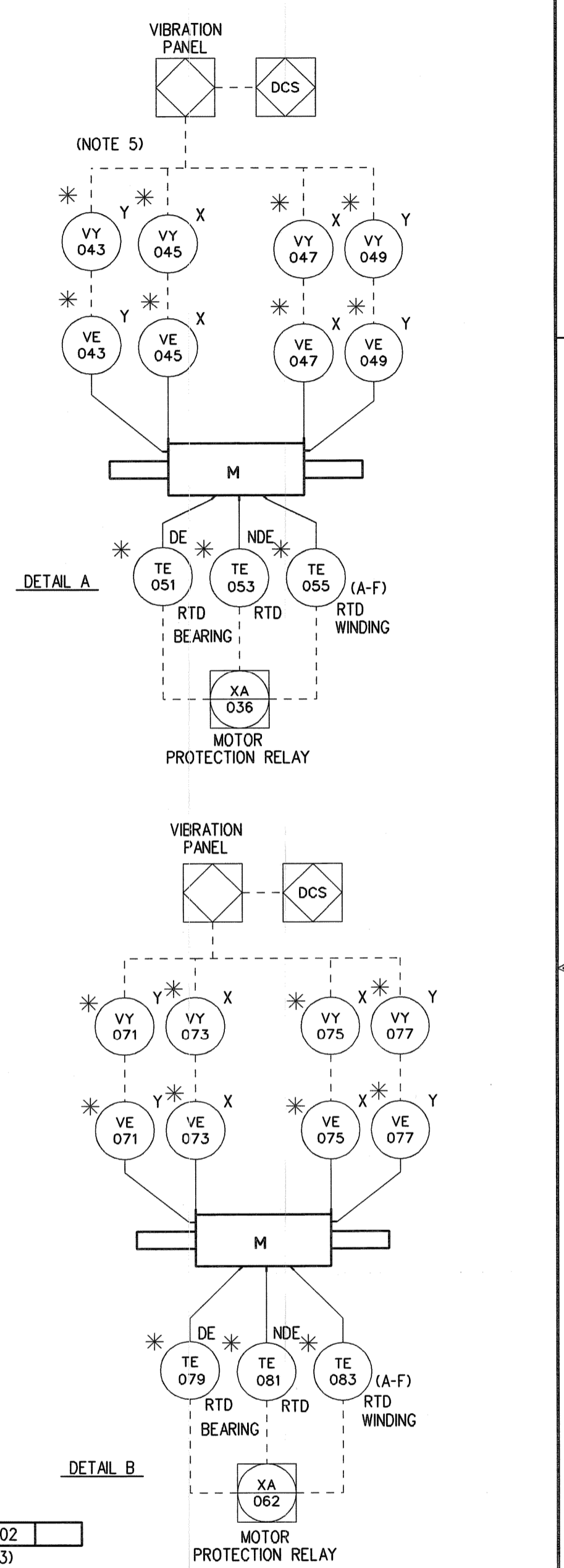
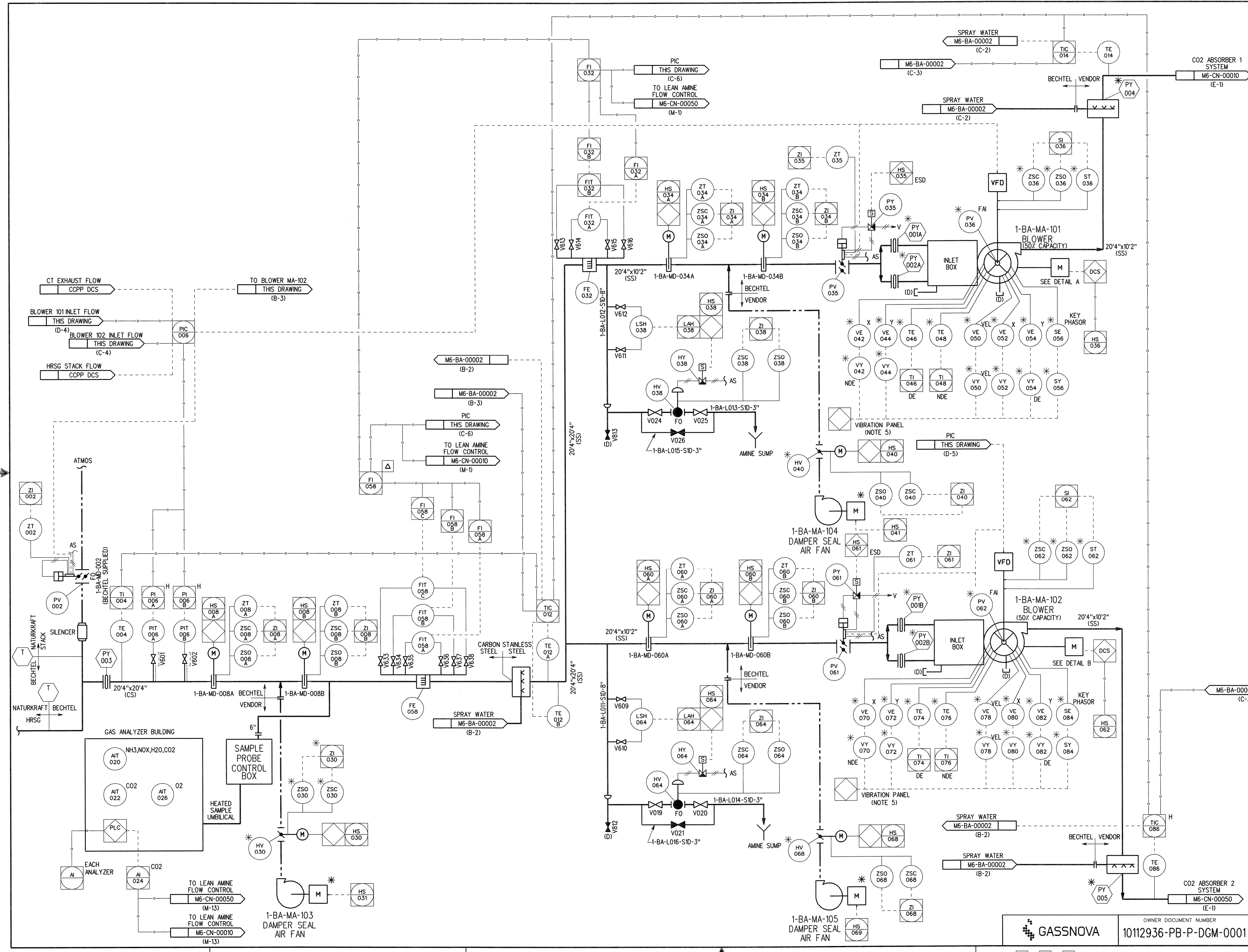


- NOTES:
- FOR SYMBOLS AND LEGENDS SEE DRAWINGS M6J-YA-0001 THROUGH M6J-YA-0005.
  - ALL LINES, VALVES, EQUIPMENT, AND INSTRUMENT NUMBERS ARE PREFIXED WITH "BA", UNLESS NOTED OTHERWISE.
  - ALL VENTS, DRAINS AND INSTRUMENTATION ROOT VALVES ARE "1", UNLESS NOTED OTHERWISE.
  - \* SYMBOL INDICATES EQUIPMENT SUPPLIED BY VENDOR.
  - SINGLE VIBRATION MONITORING PANEL.



BEchtel Confidential

NO.	DATE	ISSUED FOR APPROVAL	REVISIONS	BY	CHK	MCH	CS	CS	CS	CS	CS	CS	CS	CS	CS	CS	CS	CS	CS	CS	
1																					

**BECHTEL POWER CORPORATION**  
 FREDERICK, MARYLAND

**CO2 KARSTO PROJECT**

**PIPING & INSTRUMENT DIAGRAM  
 FLUE GAS SYSTEM**

OWNER DOCUMENT NUMBER: 10112936-PB-P-DGM-0001

JOB NO.: 25474-000

DRAWING NO.: M6-BA-00001

REV: 0