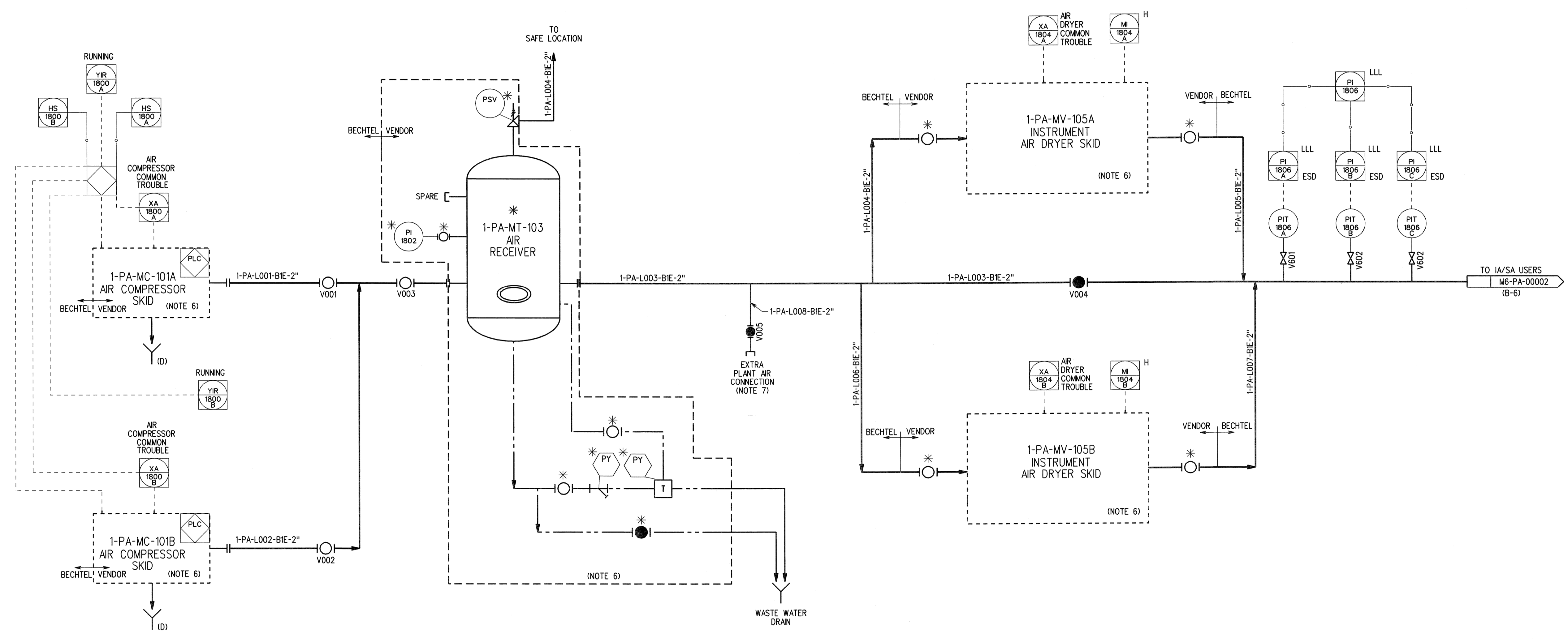


- NOTES:
- FOR SYMBOLS AND LEGENDS SEE DRAWINGS M6J-YA-00001 THROUGH M6J-YA-00005.
 - ALL LINES, VALVES, EQUIPMENT, AND INSTRUMENT NUMBERS ARE PREFIXED WITH "PA", UNLESS NOTED OTHERWISE.
 - ALL VENTS, DRAINS AND INSTRUMENTATION ROOT VALVES ARE "I", UNLESS NOTED OTHERWISE.
 - * SYMBOL INDICATES EQUIPMENT SUPPLIED BY VENDOR.
 - AUTOMATIC DRAINS VALVE TIMER SEQUENCE TO BE PROVIDED BY VENDOR.
 - FOR DETAILS OF AIR COMPRESSOR RECEIVER AND DRYER, REFER TO THE FOLLOWING DOCUMENTS: (LATER)
 - THE OWNER SUPPLIED PORTABLE AIR COMPRESSOR SHALL NOT EXCEED A MAXIMUM DISCHARGE PRESSURE OF 13.8 BARG.
 - "IA" IS INSTRUMENT AIR AND "SA" IS SERVICE AIR/PLANT AIR.



Bechtel Confidential
 © BECHTEL POWER CORPORATION 2008. ALL RIGHTS RESERVED. BECHTEL CONFIDENTIAL. CONTAINS INFORMATION THAT IS CONFIDENTIAL AND PROPRIETARY TO BECHTEL AND MAY NOT BE USED, REPRODUCED OR DISCLOSED IN ANY FORM OR BY ANY MEANS WITHOUT BECHTEL'S PRIOR WRITTEN PERMISSION. THIS DOCUMENT IS PROVIDED EXCLUSIVELY FOR GASSNOVA IN CONNECTION WITH THE PREPARATION OF THE FEED STUDY FOR THE CO2 CAPTURE FACILITY AT KIRSTO, NORWAY, AND IS NOT TO BE RELIED UPON BY OTHERS OR USED IN CONNECTION WITH ANY OTHER PROJECT.

NO.	DATE	REVISIONS	BY	CHK	MECH SUPV	CS SUPV	PD SUPV	PROJ ENGR
SCALE	DESIGNED	DRAWN	PM <i>URS</i>					

BECHTEL POWER CORPORATION
 FREDERICK, MARYLAND

CO2 KARSTO PROJECT

PIPING & INSTRUMENT DIAGRAM
COMPRESSED AIR SYSTEM

OWNER DOCUMENT NUMBER	JOB NO.	DRAWING NO.	REV
10112936-PB-P-PID-0047	25474-000	M6-PA-00001	0

LEVELS: 1 2345678901 2345678901 2345678901 2345678901 2345678901 2345678901 2345678901 2345678901 2345678901 2345678901

6 5 4 3 2

D
C
B
A