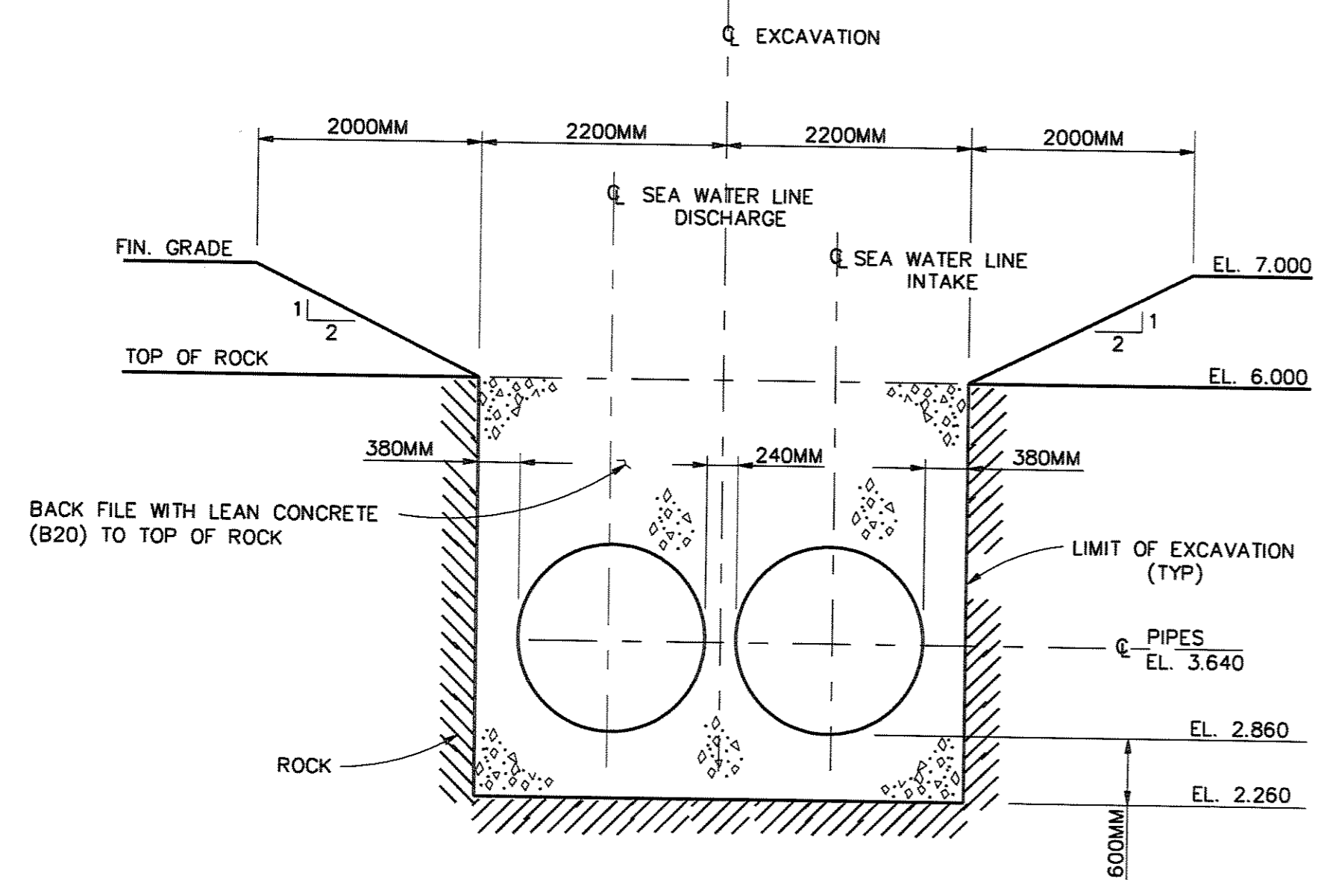
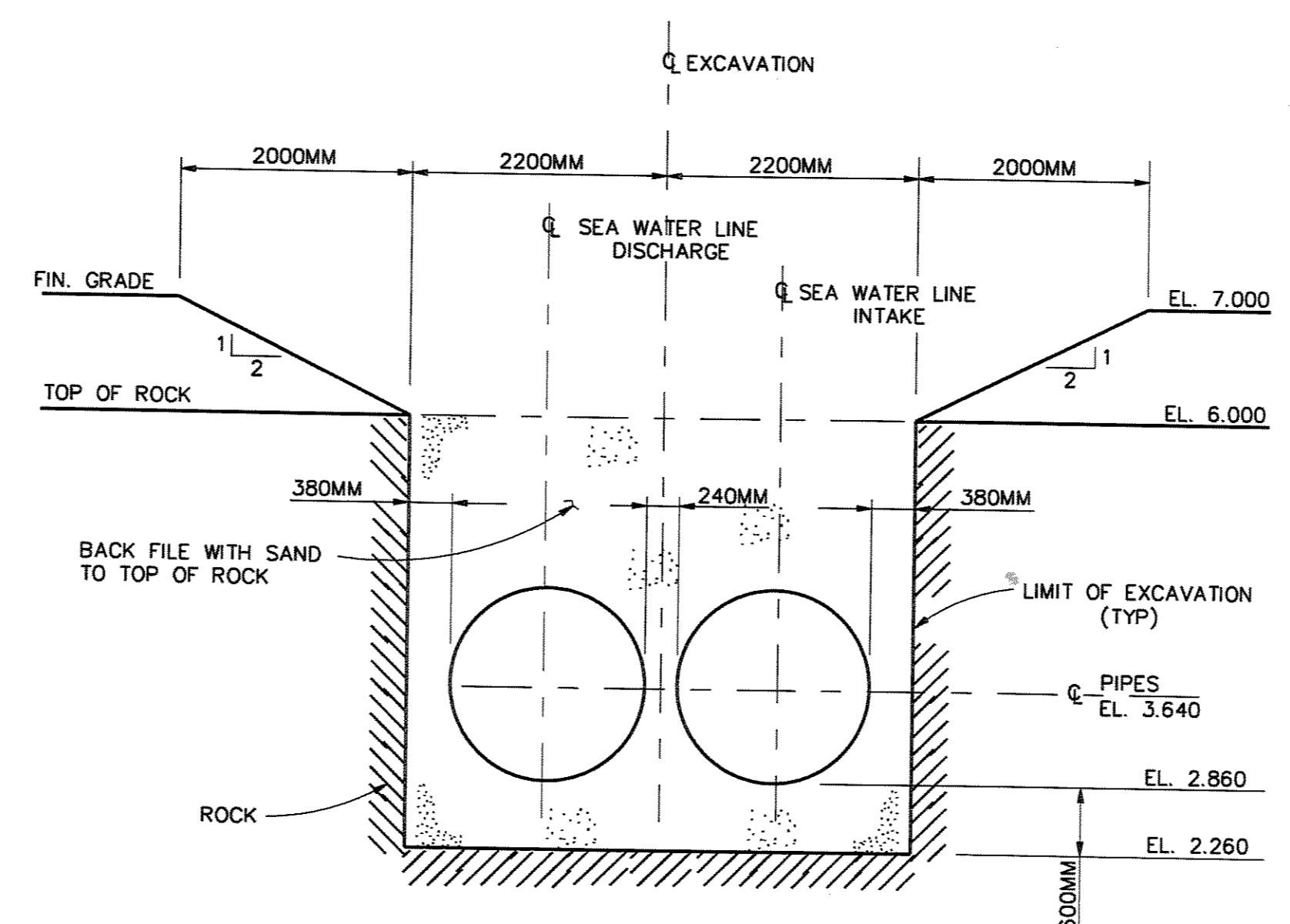


©Bechtel Corporation 2008. All rights reserved. Bechtel Confidential. Contains information that is confidential and proprietary to Bechtel and may not be used, reproduced, or disclosed in any format without Bechtel's prior written permission. This document is prepared exclusively for the CO2 Capture Facility at Karsto, Norway, and is not to be relied upon by others or used in connection with any other project.



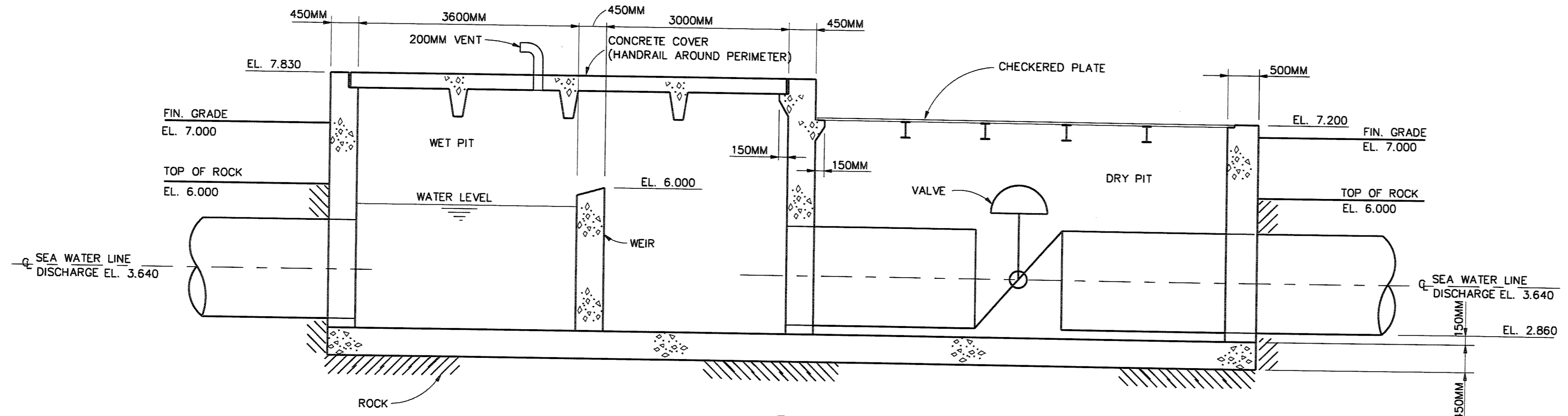
SEA WATER LINE ELEVATION VIEW

SECTION **A**
CY-0000-00001

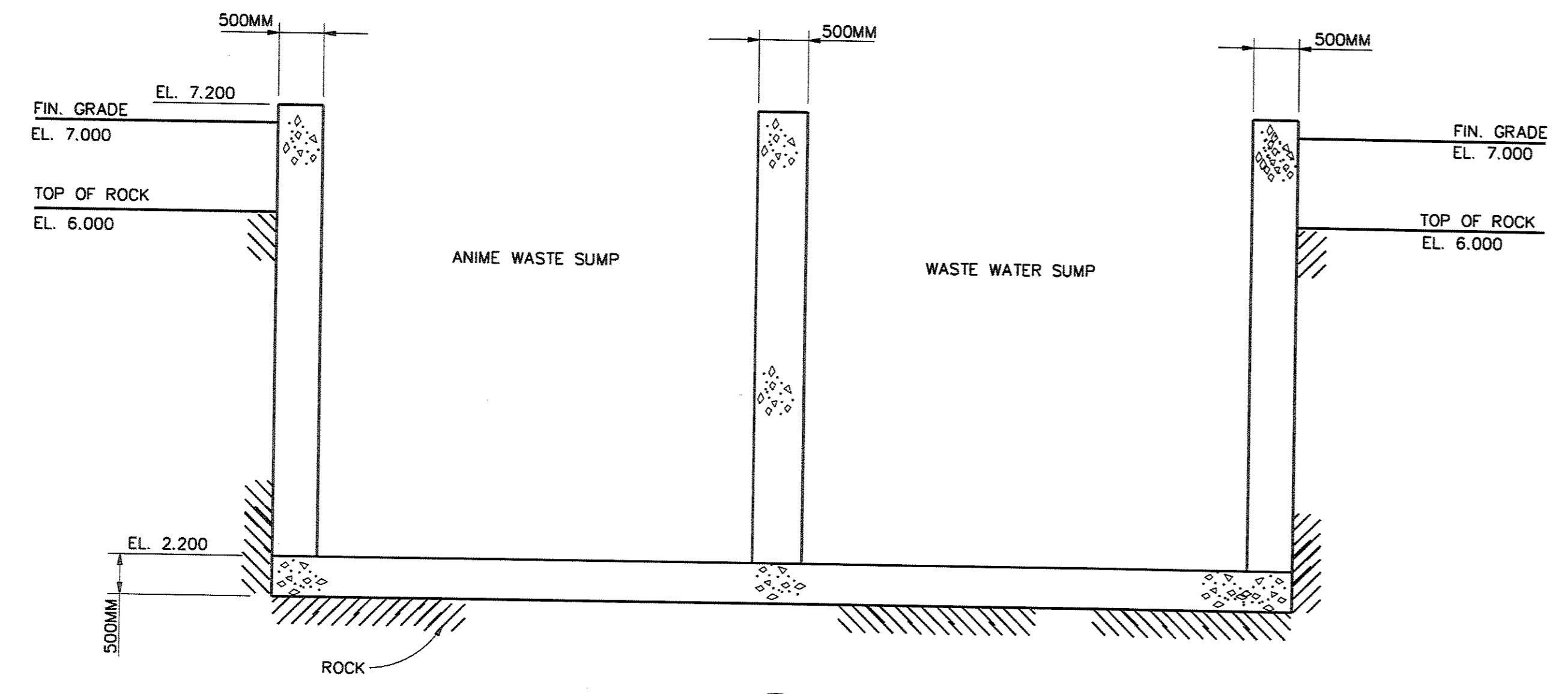


SEA WATER LINE ELEVATION VIEW

SECTION **B**
CY-0000-00001



SECTION **C**
CY-0000-00001



SECTION **D**
CY-0000-00001

FOR GENERAL NOTES SEE DRAWING CY-0000-00001.

△																			
△																			
△																			
△																			
△	ISSUED FOR COMMENT																		
REV.	DATE	BY	CHK	DES	ENGR	PRG	APPR												
Owner	GASSNOVA																		
Owner Drawing No.	1012636-PB-C-1ED-0014																		
Contractor	BECHTEL CORPORATION																		
	CO2 KARSTO PROJECT																		
	UNDERGROUND STRUCTURES TYPICAL SECTIONS & DETAILS (SHEET 1 OF 2)																		
Sheet Size	594 x 841 "A1" Scale 1:50																		
JOB NO.	25474-000												DRAWING NO.	CY-0000-00002			REV.	0	