



CLIENT : GASSNOVA
 PROJECT TITLE : CO2 KARSTO
 JOB NUMBER : 25474
 REQUISITION NUMBER :
 EQUIPMENT NUMBER : X-101
 EQUIPMENT TITLE : FLUE GAS WATER FOGGER SYSTEM
 SERIAL NUMBER :

COMMENTS:

* VENDOR TO COMPLETE DATA MARKED WITH ASTERISK.

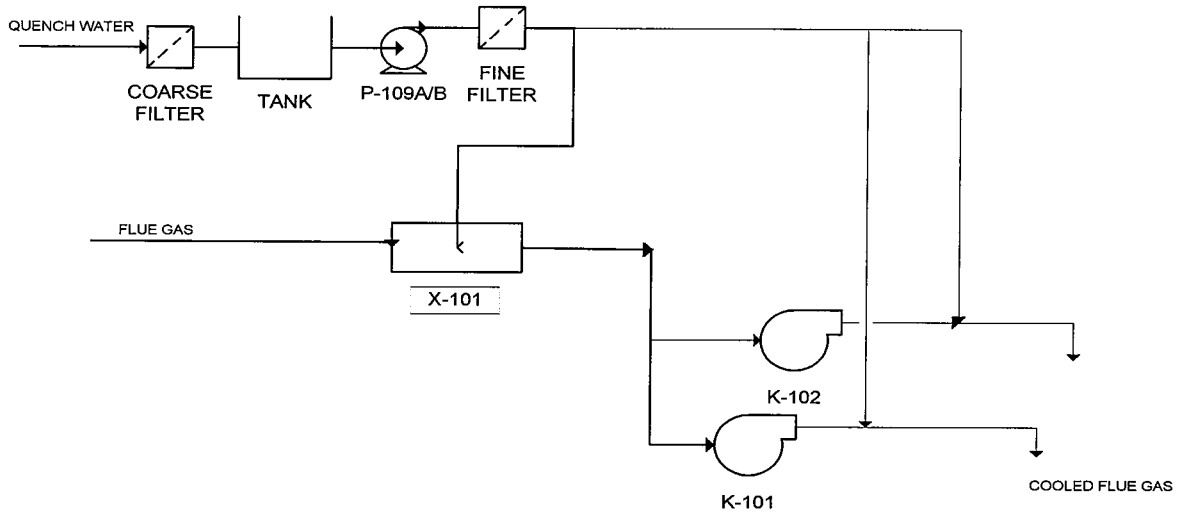
0	7-Oct-08	Issued for Deliverable Milestone Schedule M2	NH	MJC	DM	ADB					BR		
REV	DATE	Description	Orig.	Chkd	Lead	Reviewed	MET	APE	Proj.	PM	Engr		
		JOB No:		25474									
		DATA SHEET No.											
		GENERAL PACKAGE DATASHEET		BECHTEL: 25474-000-MSD-BA-00012		OWNER: 10112936-PB-P-DAS-0008		0					
		SHEET		1		OF		4					

REVISION

ANICAL DE			
SERVICE:	FLUE GAS WATER FOGGER SYSTEM		
LOCATION:	KÅRSTØ, NORWAY		
NUMBER REQUIRED:	1		
TAG No.(s):	X-101		
PROCESS STREAM INPUT 1 (3)		PROCESS STREAM OUTPUT 1 (3)	
Fluid / Gas Name:	Flue Gas Feed		Fluid / Gas Name: Flue Gas Blower Inlet
Flowrate: Sum / Norm / Win	- / 2.110 / 2.167 x 10 ⁶ Std m ³ /h		Flowrate: Sum / Norm / Win (1) - / 2 x 1.088 / 2 x 1.124 x 10 ⁶ Std m ³ /h
Supply Conditions	Pres. kPa a	Temp. °C	Supply Conditions Pres. kPa a Temp. °C
Summer	85		Summer
Normal	100.2	90	Normal 100.2 46.8
Winter	100.2	100	Winter 100.2 47.0
PROCESS STREAM INPUT 2 (4)		PROCESS STREAM OUTPUT 2 (4)	
Fluid / Gas Name:	Flue Gas Blower Outlet		Fluid / Gas Name: Quenched Flue Gas to Absorber
Flowrate: Sum / Norm / Win	- / 2 x 1.09 / 2 x 1.124 x 10 ⁶ Std m ³ /h		Flowrate: Sum / Norm / Win - / 2 x 1.09 / 2 x 1.124 x 10 ⁶ Std m ³ /h
Supply Conditions	Pres. kPa a	Temp. °C	Supply Conditions Pres. kPa a Temp. °C
Summer			Summer
Normal	108.9	59.3	Normal 108.9 50
Winter	108.9	59.5	Winter 108.9 59.5
PROCESS STREAM INPUT 3			
Fluid / Gas Name:	Quench Water Supply		
Flowrate: Sum / Norm / Win	- / 59420 / 61235 kg/h		
Supply Conditions	Pres. kPa g	Temp. °C	
Summer			
Normal	344.7	50	
Maximum	344.7	50	
UTILITIES			
INSTRUMENT AIR			
Instrument air consumption	* Nm ³ /h / Sm ³ /h		
Supply Conditions	Pres. kPa g	Temp. °C	
Minimum			
Normal	1000	38	
Maximum			
Design	1170	66	
PLANT AIR			
Plant air consumption	* Nm ³ /h / Sm ³ /h		
Supply Conditions	Pres. kPa g	Temp. °C	
Minimum			
Normal	1000	38	
Maximum			
Design	1170	66	
	JOB No.		25474
	DATA SHEET No		Rev.
	BECHTEL: 25474-000-MSD-BA-00012		0
	OWNER: 10112936-PB-P-DAS-0008		
	SHEET		2 OF 4
GENERAL PACKAGE DATASHEET			

PROCESS & MECHANICAL DESIGN CONDITIONS

SECONDARY FOGGER FACILITIES TO BE PROVIDED AND SIZED FOR 20% OF TOTAL FOG WATER



COMPOSITION OF FLUE GAS (% MOLE)

OXYGEN	12.8
NITROGEN	74.8
WATER	7.7
CO2	3.8
ARGON	0.9

NOTES:

1. VENDOR TO PROVIDE ALL FILTRATION FOR QUENCH WATER SUPPLY
QUENCH WATER MAY CONTAIN PARTICLES
2. VENDOR TO SUPPLY WATER STORAGE FOR 1 HOUR
3. PRIMARY FOGGING INLET, OUTLET STREAMS
4. SECONDARY FOGGING INLET, OUTLET STREAMS
5. ASTERISKS DENOTE INFORMATION TO BE PROVIDED BY VENDOR
6. VENDOR TO MAXIMISE WATER SATURATION
7. VENDOR TO NOT EXCEED 98% WATER SATURATION IN BLOWER SUCTION
8. Turndown is 60% of Normal Case



GENERAL PACKAGE DATASHEET

JOB No.	25474	
DATA SHEET No		Rev.
BECHTEL: 25474-000-MSD-BA-00012		0
OWNER: 10112936-PB-P-DAS-0008		
SHEET 3		OF 4

PROCESS & MECHANICAL DESIGN CONDITIONS

LOCATION: Indoors Heated Saline Ambient Temperature: Max 30 °C
 Outdoors Unheated Desert Min -17 °C

Electrical Area Hazard: Hazardous Non-Hazardous Zone: Group: Temp. Class:

Site Data: See 10112936-FI-B-CON-0070-03

Noise & Other Emissions: See 10112936-FI-B-CON-0140-03

Overall Plant Dimensions: Length: * m Width * m Height: * m

Weight: Fabricated: * kg Shipping: * kg Installed: * kg Operating: * kg

TERMINAL CONNECTIONS

SERVICE:	SIZE	CODE	RATING	FACING	PACKAGING	PIPING SPEC
UTILITY WATER SUPPLY	50MIN		150#	RF		
NITROGEN SUPPLY	50MIN		150#	RF		
INSTRUMENT AIR SUPPLY	50MIN		150#	RF		
QUENCH WATER TO PACKAGE (5)	100*		150#	RF		
FLUE GAS DUCTING (BLOWER INLET)	TBA					
FLUE GAS DUCTING (BLOWER OUTLET)	TBA					

MATERIALS OF CONSTRUCTION

VENDOR TO ADVISE



GENERAL PACKAGE DATASHEET

JOB No.	25474
DATA SHEET No	Rev.
BECHTEL: 25474-000-MSD-BA-00012	0
OWNER: 10112936-PB-P-DAS-0008	
SHEET	4 OF 4